

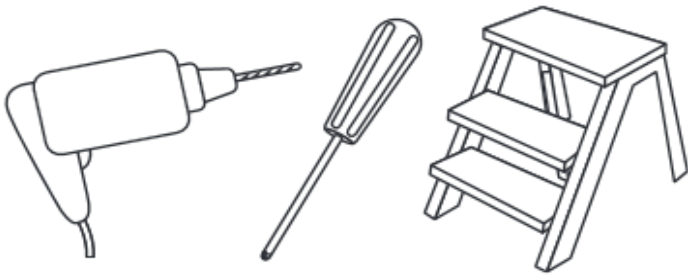
Roman Shades

Installation Instructions – Inside Mount

Included Installation Hardware

- Wood Screws

Tools Required



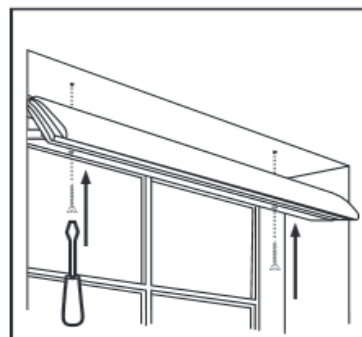
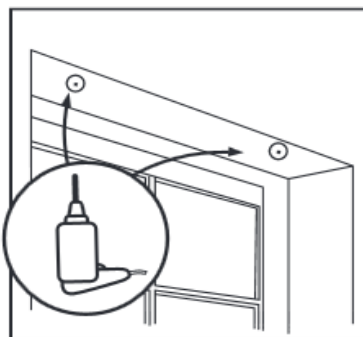
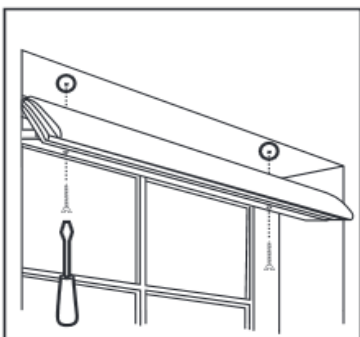
Drill, Screw Driver and Step Stool

Installation

Step 1 – Drill Wood Screws through pre-drilled holes on the shade until the tip of the screw shows through.

Step 2 – Apply shade into the window opening and make sure that it is centered. Press the shade onto the upper casing to leave an impression of the screw. (You can drill directly or use a drill bit to pre-drill the holes into your casing)

Step 3 – Align the shade and drill the screws into the casing

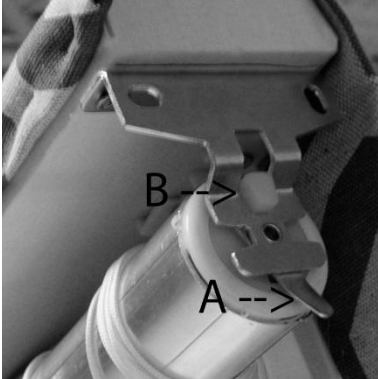


Optional - Continuous Loop Cord Control

Installation

Installing a Roman Shade with the continuous loop control requires that the tube be removed from the brackets for easy installation.

Step 1 – Open end bracket (A) and remove tube out of bracket by lifting and pulling back (B)



Step 2 – Pull clutch from bracket (C) to release the tube from end bracket

Step 3 – Mount Roman Shade (instructions on page 1)

Step 4 – Place the clutch and tube back onto the end bracket(C), snap in on other(B) end and close bracket(A) to ensure tube stays in place

Tension Device

The tension device aids in reducing the hazard of strangulation and entanglement of young children or pets by limiting access to the control cord.

Step 4 – Install the Tension Device – Anchor the Tension Device to the window frame or wall (instructions enclosed). For hollow dry wall installation

How to Operate

Corded Shades

Raise or lower the shade by pulling the lift cord slightly to release the cord lock. Adjust to desired height and move cord away from the shade to lock into place.

Continuous Loop

Raise or lower the shade by pulling on the cord slowly.

Shade Care Instructions

Once the shade has been installed, any wrinkles will hang out on their own within 1 – 2 weeks. A garment or commercial steamer may also be used to help smooth out the wrinkles. Clean shade with a vacuum attachment.

Questions Comments

Our dedicated customer service team is available to help. Contact us at **1-800-256-5005** or email at customercare@regaldrapes.com.