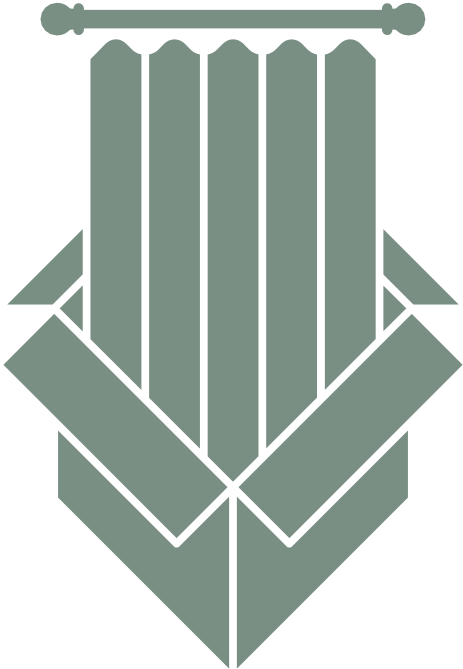


# Ripple Fold Drapery Installation Instructions



## Decorative Traverse Rod Wall Mount Option

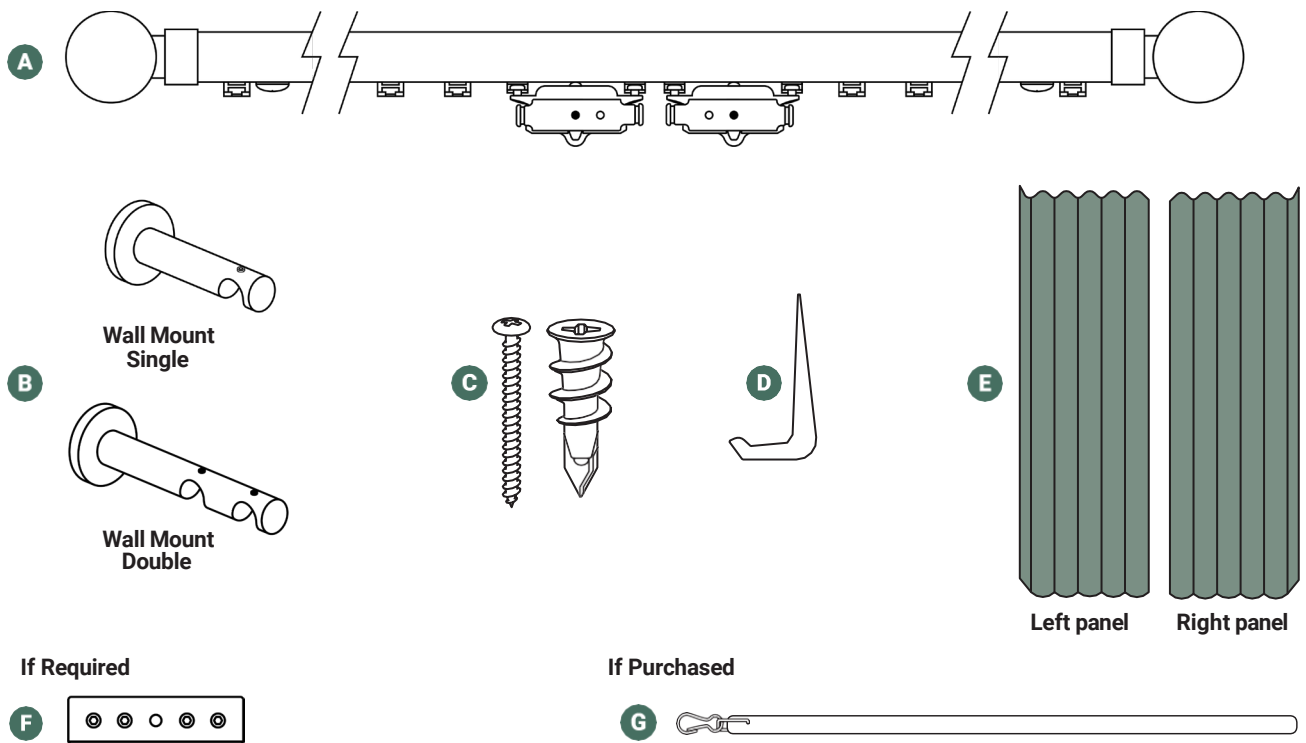


# Before You Begin

## Materials

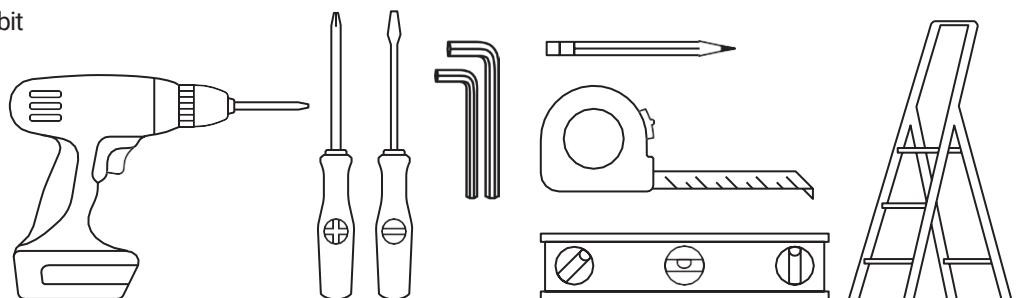
Please read through all instructions carefully before you begin. Unpack all materials, making sure all parts are included:

- A** Rods(s) pre-installed with master carrier(s) & carriers
- B** Mounting brackets
- C** Screws & anchors
- D** Tenter hooks
- E** Drapery panel(s) with pre-installed carrier pendants
- F** Splice, if required
- G** Wand(s), if purchased



## Tools You Will Need

- Drill with Phillips screwdriver bit
- Phillips screwdriver
- Standard screwdriver
- Pencil
- Allen key set
- Metal tape measure
- Level (wall mount)
- Step ladder

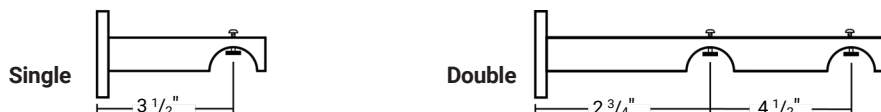


## Decorative Traverse Rod Installation

### Hardware Information

Ripple Fold Decorative Traverse Rod track is **wall mounted**. Either single or double brackets are included with your order.

#### Wall Mount Brackets

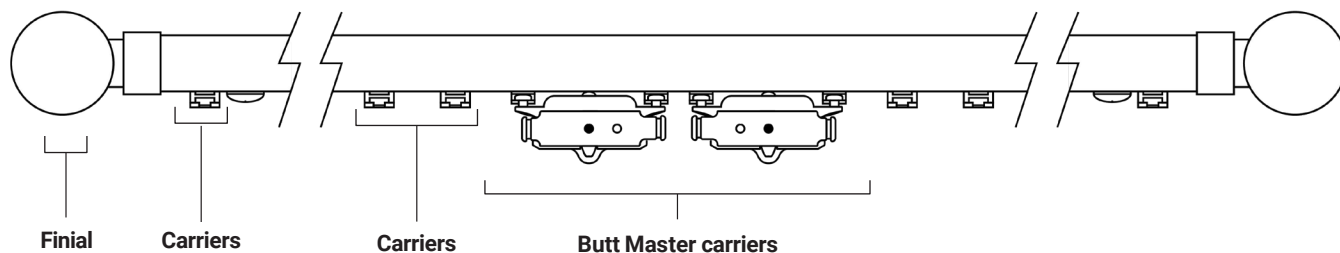


The decorative traverse rod that we provide is pre-cut and pre-loaded with the appropriate carriers for each of the drapes that we have made for you. That track locks into the brackets discussed above. Carrier will have the opening facing into the room for connection.

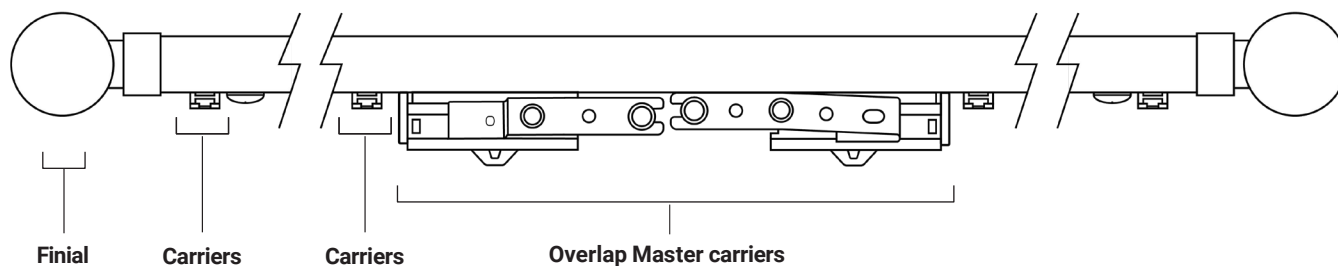
Typically for rods 96 inches or longer, rods are shipped in separate pieces. In this case, your package will include a splice to connect the rod parts together.

Depending on your drapes style, your decorative traverse rod will have Butt Master or Overlap Master carriers as shown below.

#### Butt Master Carriers - front view



#### Overlap Master Carriers - front view



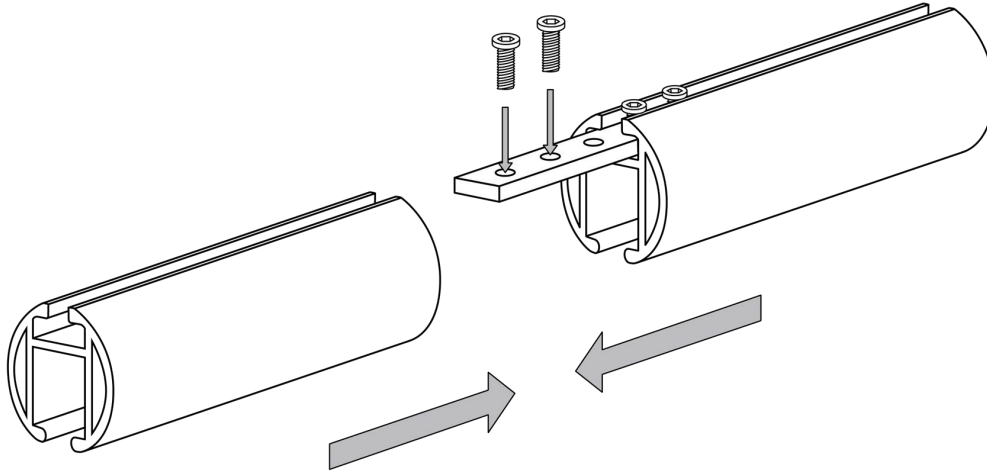
## Wall Mount Instructions

---

### Step 1 - Connecting Rod With The Splice (if required)

---

Typically for rods 96" or longer, rods are shipped in multiple pieces and will require a splice. If splice is not required, proceed to Step 2 - Track Height.



1. The splice is preinstalled on one of the rod pieces. Use the hex key to loosen the screws and slide it out so half of the splice is exposed to the outside. Tighten the locking screws on this piece with the hex key.
2. Slide the exposed end of the splice into the top channel of the other piece and butt ends together.
3. While holding both pieces of the rod together make sure that there is no open space left in between, tighten the locking screws with hex key for a secure fit.

### Step 2 - Marking Rod Height

---

The rod installation height must consider the clearance between the drape and the floor. To calculate the correct rod height, add the desired clearance between the drape and the floor to the drape length. For example, if drapery panels are 84" long and clearance between the floor and drapes is  $\frac{1}{4}$ ", the bottom of the Decorative Traverse Rod would be installed at  $84 \frac{1}{4}$ " from the floor.

Following example above calculate the height where to place the mark for the wall brackets. Adjust as necessary to make sure they are all level and in a straight line.

**HINT** Also, when practical, another method to set the height of the track is to snap a few pendants in place on your track (see Drapery Panel Installation, Steps 1 & 2 on page 6) and let your panel hang down to your desired height above the floor. Align the mark with **the bottom** of the track. This method works when the size of the panel is modest enough for you to hold the rod and hang the panel above the floor.

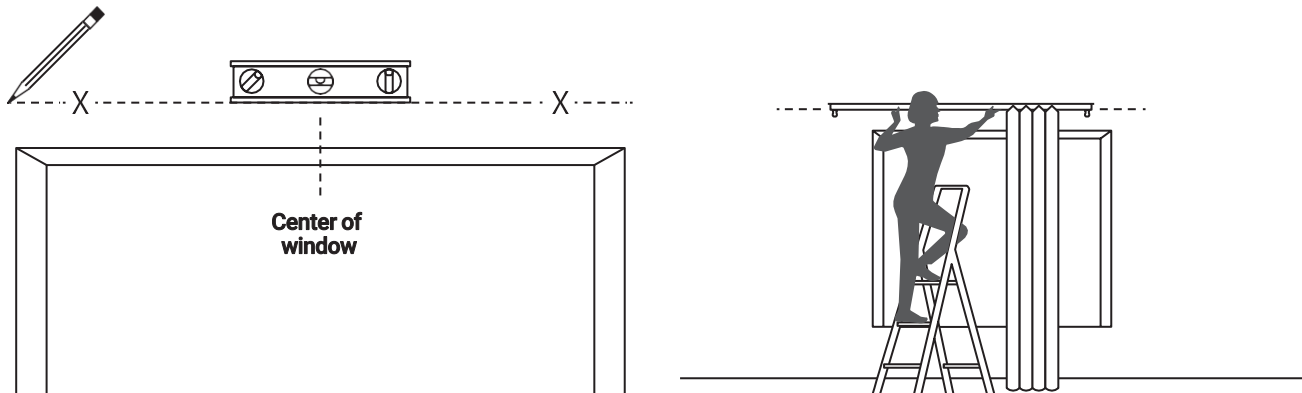
If needed, please use following formula to calculate the height where to put the mark on the wall for brackets installation:

$$\begin{array}{c} \underline{\hspace{2cm}} \quad + \quad \underline{\hspace{2cm}} \quad = \quad \underline{\hspace{2cm}} \\ \text{Drape length} \qquad \qquad \qquad \text{Clearance between the drape and the floor} \qquad \qquad \qquad \text{Height of the wall marking} \end{array}$$

# Ripple Fold Decorative Traverse Rod Installation Instructions



## Step 2 - Marking Rod Height (cont'd)

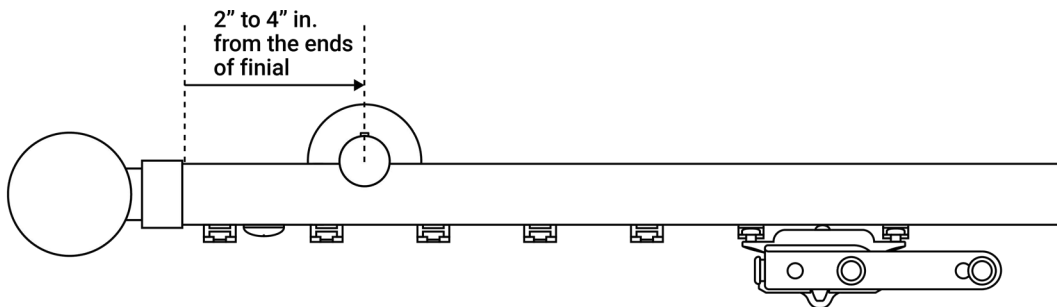


## Step 3 - Bracket Placement

Measure the width of the rod and mark the two end brackets approximately 2" - 4" in from the ends of the rod. Evenly space the remaining brackets and place corresponding marks. We also recommend that you aim to mount as many brackets as possible into studs or window header. We recommend that brackets be installed within every 24" - 36" of the rod to support your drapes. If you do not have enough brackets, call Customer Care at 1-800-256-5005.

When studs are not located in the 24" - 36" spacing, the provided anchors **must be used** to install brackets for standard Sheetrock. For other wall types, use appropriately rated anchors (not included). It is not critical that the brackets are spaced evenly. The brackets will be partially hidden by the drapes, so brackets may be spaced unevenly to catch a stud.

**HINT** To find wall studs, use a thin finish nail to tap through sheet rock or use a stud finder available from a hardware store.



## Step 4 - Mount Brackets

For wood frame header or wall stud locations, drive provided screws directly into wall. When studs are not located where bracket is installed, use Phillips bit to drive provided anchor into Sheetrock and then screws into the anchors. The provided anchors **must be used** to install brackets for standard Sheetrock. \*For other wall types, use appropriately rated anchors (not included).

Start bracket installation with detaching the mounting plate from the bracket using the Allen key.

The bracket's mounting plate has one circular hole and two oval holes. Use the circular hole as a guide and center it on the mark you draw in the step 3 - Bracket Placement.

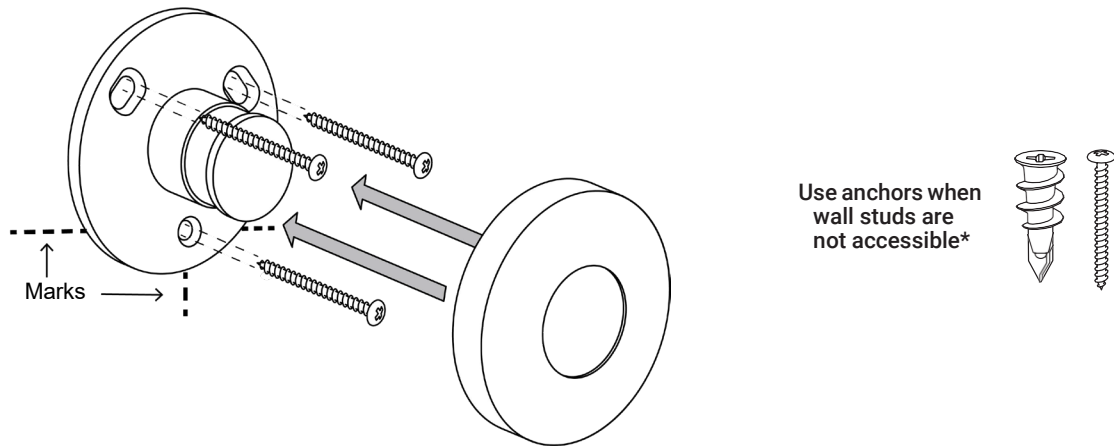
While keeping the circular hole on the mark, rotate the mounting plate that the oval holes are on the top and located on an imaginary horizontal line (parallel to the track).

Fasten the bottom screw first and, if needed, slightly rotate the plate for minute adjustments before fastening the top screws.

# Ripple Fold Decorative Traverse Rod Installation Instructions

## Step 4 - Mount Brackets (cont'd)

After all screws are fastened, attach the mounting plate cover.



## Step 5 - Attach Rod

Follow either Single or Double Bracket installation steps.

### Single Bracket Rod Installation

Remove one or both finials from the rod with the Allen key (if you used a splice in step #1).

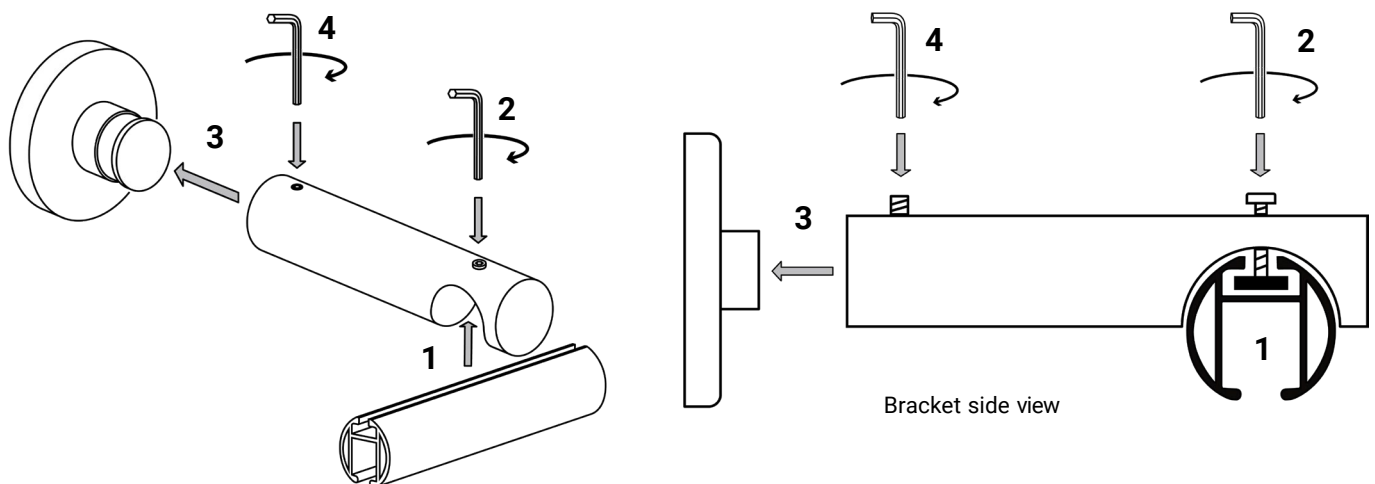
Slightly loosen the front hex screw on the bracket with the Allen key. Slide the square nut (in the bottom of the semi-circular bracket opening) into the top channel of the rod. This step is marked as #1 in the following diagram.

Move the bracket to approximate position of the corresponding mounting plate. Secure the bracket to the rod but do not tighten this screw completely – you might need to move the bracket laterally along the rod while connecting the rod to the wall. This step is marked as #2 in the following diagram.

Lift the rod with attached brackets and connect it to the mounting plates, using the Allen key to secure the bracket. Use help if the rod is too long to be handled by a single person. These steps are marked as #3 & #4 in the following diagram.

Tighten the front hex screw to complete the track installation. This step is marked as #2 in the following diagram.

Attach the finial removed previously.



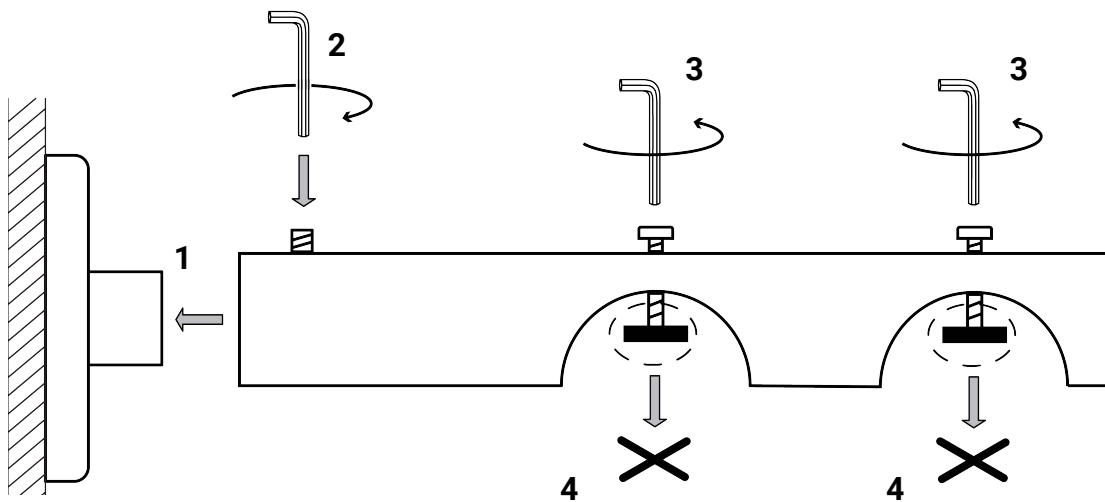
## Step 5 - Attach Rod (cont'd)

### Double Bracket Rod Installation

The Decorative Traverse Rod with double brackets comes with a heavy duty bracket nut preinstalled on the rod. It is usually secured with the plastic wrap to prevent it from sliding out. You need to discard the original bracket nut and use the provided heavy duty nut instead.

Attach the bracket to the wall plate installed in Step 4 - Mount Brackets and use the Allen key to secure the bracket to the wall plate. These steps are marked as #1 & #2 in the following diagram.

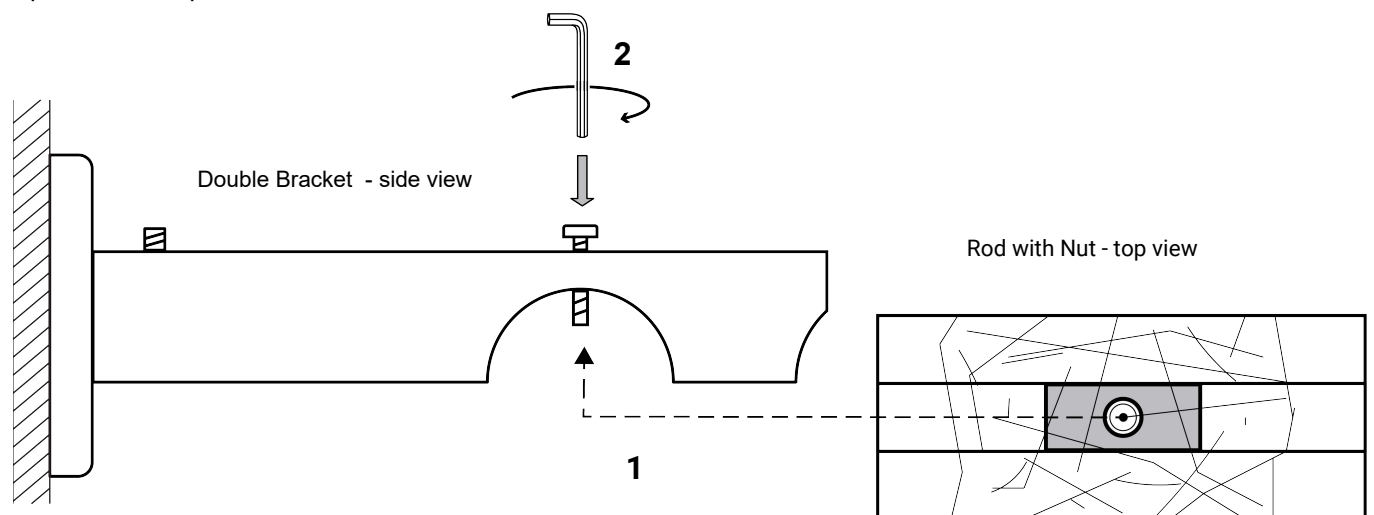
Use the Allen key to unscrew and discard the original screw nut that came with the double bracket. Do not remove the screw from the bracket. These steps are marked as #3 & #4 in the following diagram.



Attach the rods to the bracket starting from the innermost rod first. Remove the protective wrap from the rod and align the bracket screw and the heavy duty nut. This step is marked as #1 in the following diagram.

Affix the screw to the heavy duty nut using the Allen key. Do not tighten the screws until all brackets are attached and the rod is centered with the window. When all the brackets are attached - tighten the screws to secure fix the rod. This step is marked as #2 in the following diagram.

Repeat these steps with the Outer Rod.

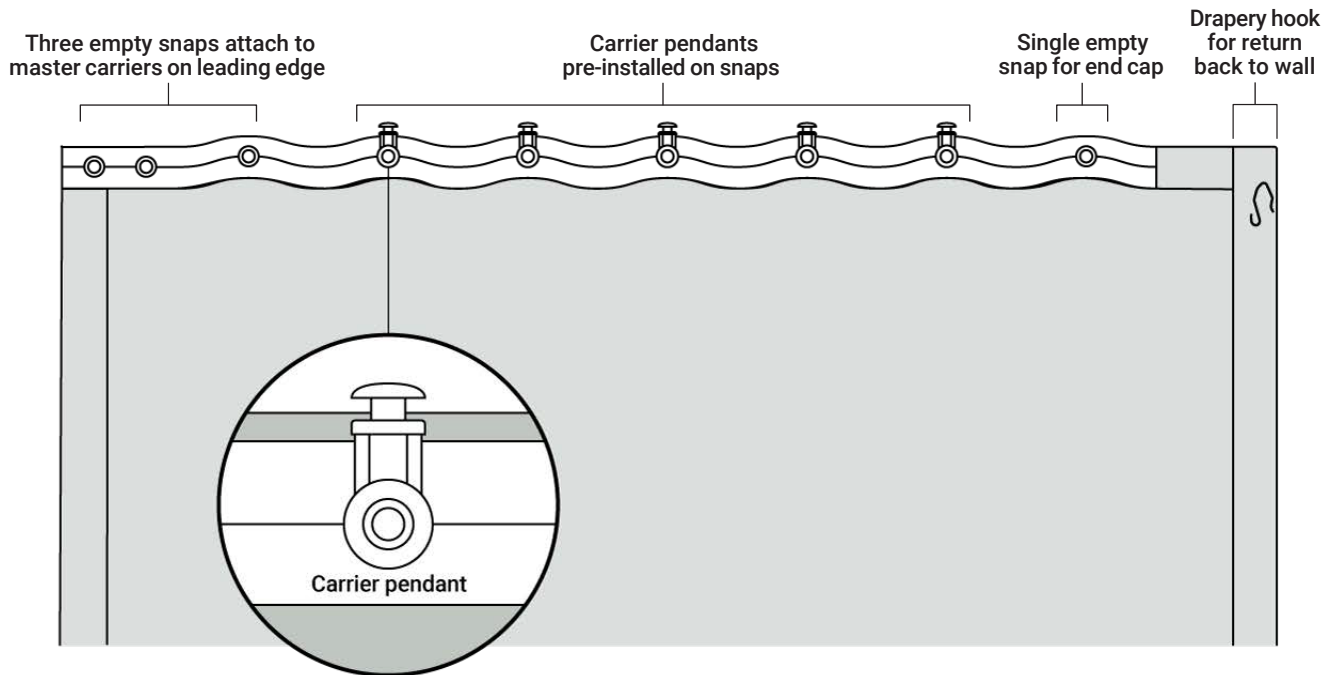


# Drapery Panel Installation

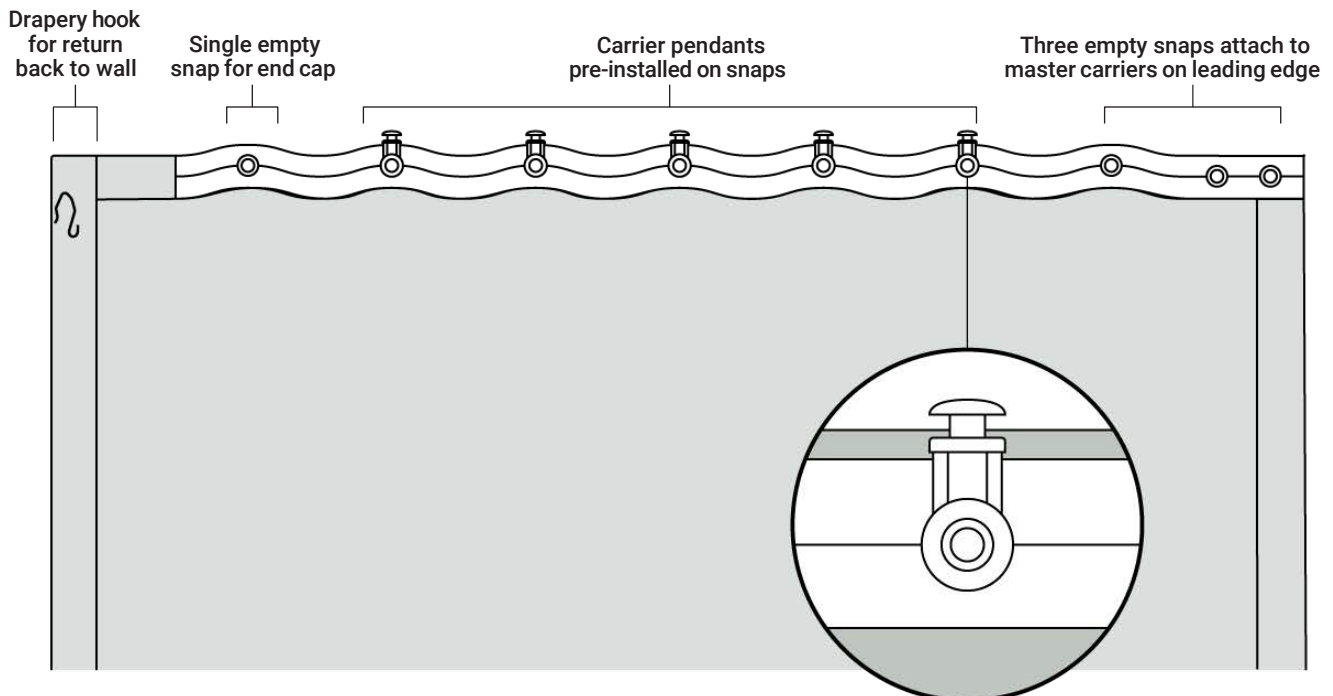
## Before You Begin

Familiarize yourself with the panels. Panels will be labeled left or right and will be configured as follows:

### Back of Left Panel



### Back of Right Panel





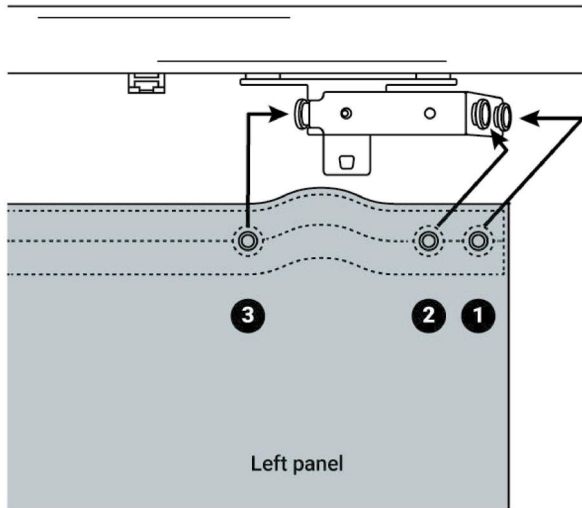
# Ripple Fold Decorative Traverse Rod Installation Instructions

## Step 1 - Attach to Master Carriers

Begin by snapping the first two buttons on the leading edge to the Master Carrier.

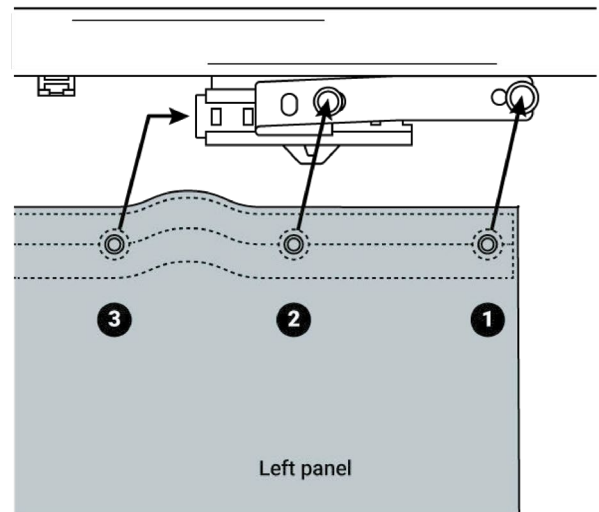
### Butt Master Carriers

Typically used for most drapes. Snap the third snap into the snap on the side of the Butt Master Carrier.



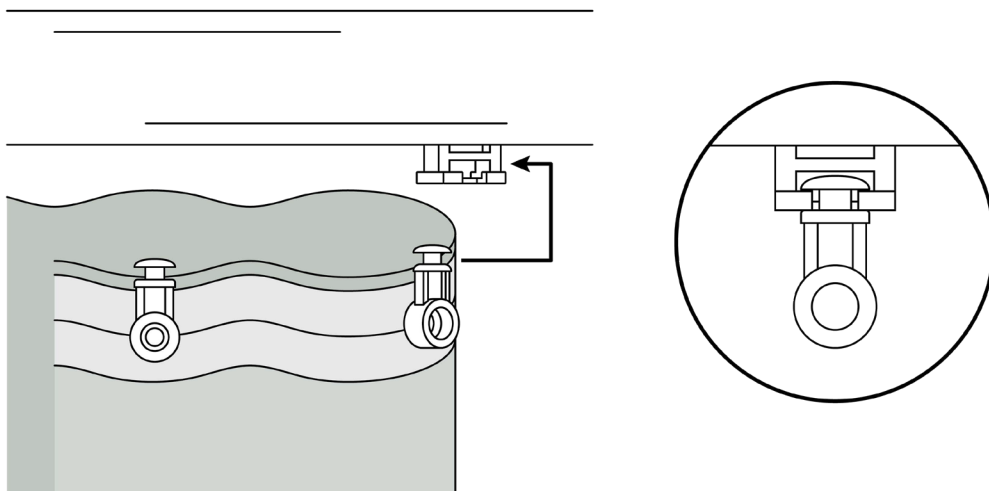
### Overlap Master Carriers

Typically used for drapes with blackout linings. Snap the third snap into the plastic hole on the side of the Master Carrier.



## Step 2 - Attach Pre-snapped Pendants

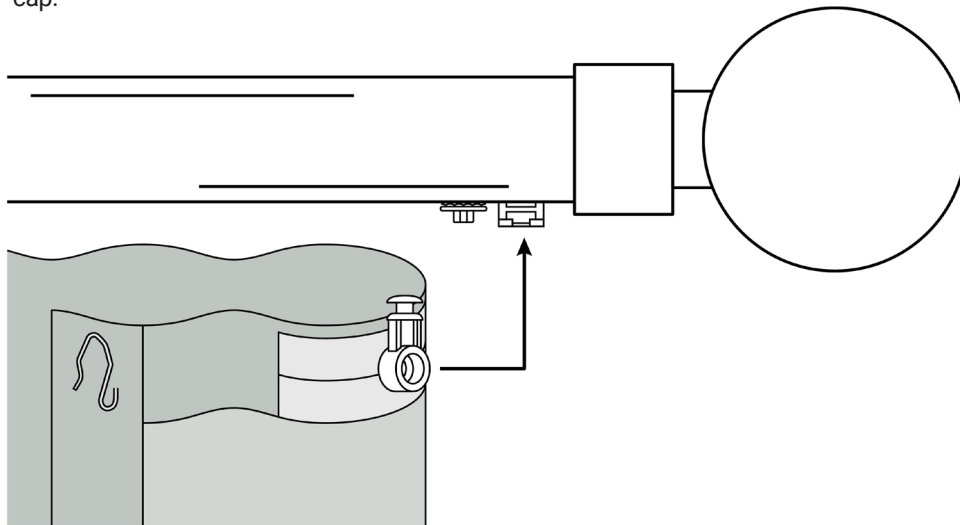
Insert the remaining pre-snapped pendants onto the carriers. You should hear them click into place.



# Ripple Fold Decorative Traverse Rod Installation Instructions

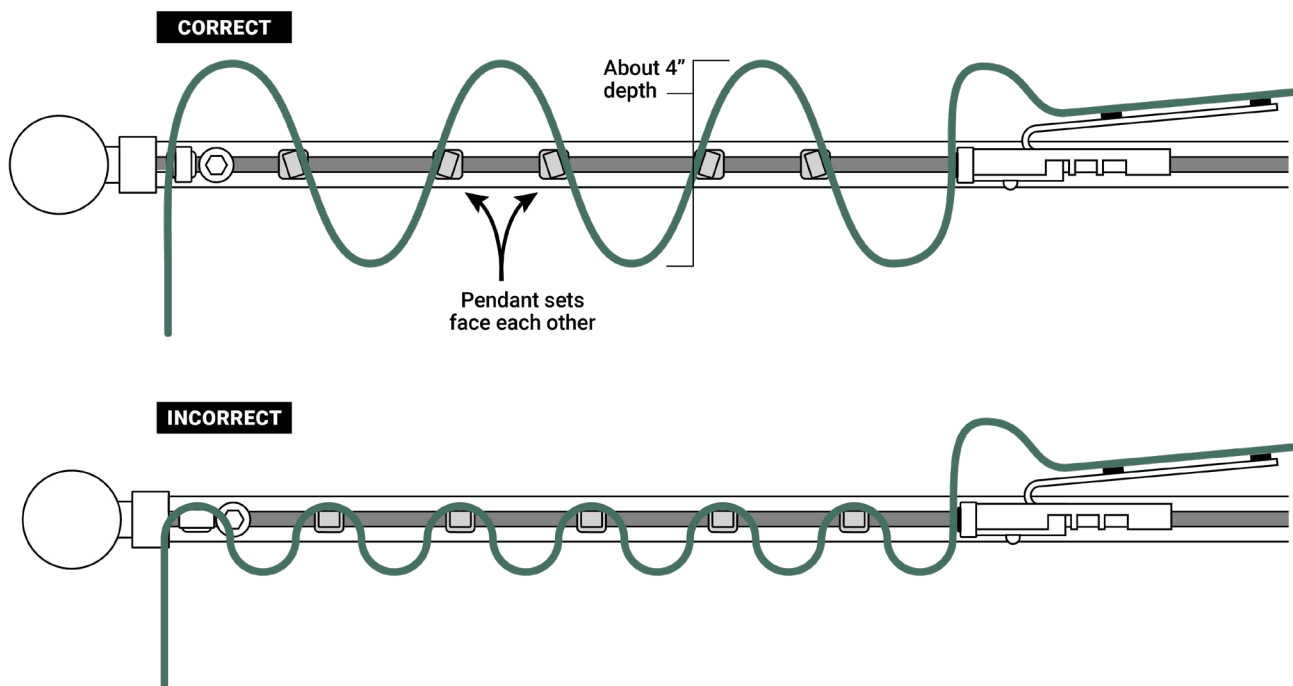
## Step 3 - Snap to End Cap

Install the last snap onto the stationary carrier in the end cap.



## Step 4 - Dressing the Folds

Once all pendants are installed, gather the drapery by creating S-like folds. Start from the Main Carrier and work toward the other end. Dress the fabric into S folds by pushing towards wall and pulling out into room. Each set of two pendants should face each other. Each "S" should take up about 4".

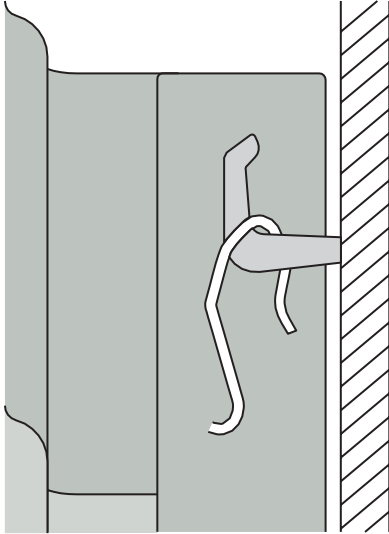


# Ripple Fold Decorative Traverse Rod Installation Instructions

## Step 5 - Connect Drapery Return to Wall

---

Affix the tenter hook to the wall, and attach the pre-installed drapery hook to the tenter hook to create a return. This will return the drape to the wall, concealing any side-light view. Drapery pin can be adjusted to desired return height.

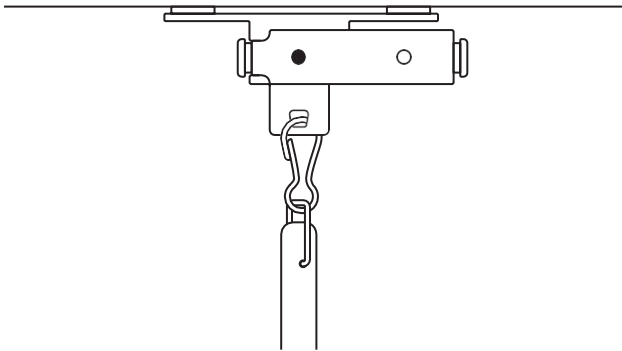


## Step 6 - Attach Wand(s)

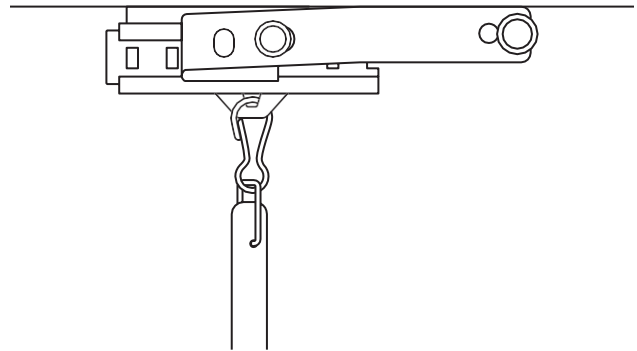
---

Attach the wand (if purchased with your drapes) to the Master Carrier. Simply fit the metal hook on the wand through the slot in the carrier below the snaps.

**Butt Master Carriers**



**Overlap Master Carriers**



## Drapery Care

---

Pardon my wrinkles, I've been through a long trip. Most of my wrinkles can be shaken out and will release after I've been hanging for a week or two.

- Once the draperies are installed and dressed, most wrinkles and folds will hang out on their own within 1 - 2 weeks.
- A garment steamer may also be used to help smooth out the wrinkles. Please take care not to overheat the fabric while removing wrinkles. You also can use a wrinkle release spray like Downy® Wrinkle Releaser.
- Certain fabrics like silks or linens have natural characteristics that steaming will not remove.

Please contact Customer Care at 1-800-256-5005 if you have additional questions how to care for your drapes.

## Questions? Comments?

---

Our dedicated Customer Care Team is available to answer any questions you may have about your drapery or installation. Contact Us at 1-800-256-5005 ext. 104 or email [customer care@regaldrapes.com](mailto:customer care@regaldrapes.com).



Thank you for choosing Regal Drapes. We are proud to make your drapes with careful attention to every detail. We hope you enjoy your drapes for many years to come.