

Pleated Drapery

Installation Instructions

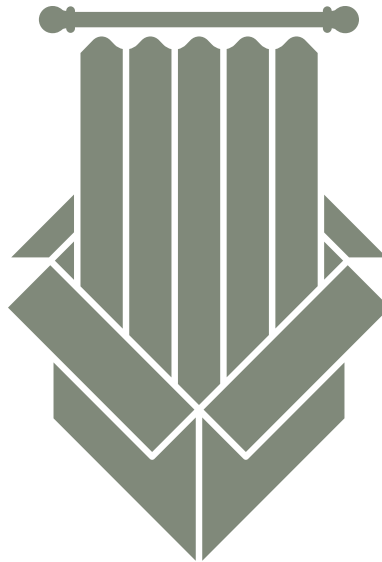
For Drapery Rod with Rings

Pinch Pleat

Tailored Pleat

Inverted Pleat

Goblet



Let's get excited for your new drapes. Please take a few minutes to review these simple steps so your drapes will be hanging beautifully in no time.

Before You Begin

Please note that:

- If your order includes hardware, it arrives in a separate package. Finish the hardware installation before attaching drapes.
- The tenter hooks needed for attaching the outer side of your drapes to the wall are included with these instructions.
- If you ordered tiebacks, an additional tenter hook will be included for each tieback. You will need a hammer, a pencil and measuring tape to position and install the tenter hooks.

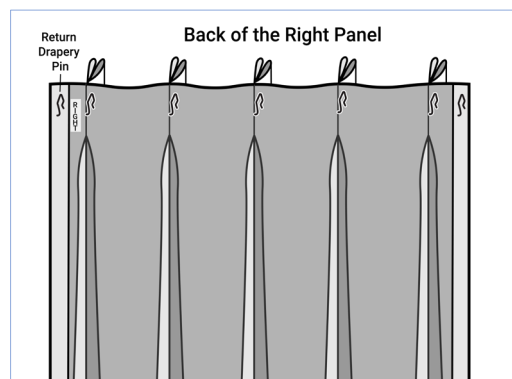
Please contact Customer Care at 1-800-256-5005 if you need assistance.

Pleated Drapery Installation Steps

Step 1 – Unpacking Drapes

Unpack all drapes. Sort drapes for different windows if you have more than one pair made from the same fabric.

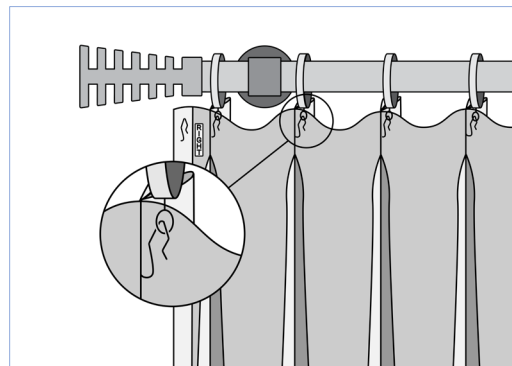
Pair panels will be labeled Left or Right on the return side. Also, both the return and lead sides of the panels have an additional drapery pin. Use the extra pin on the return side for the tenter hook installation.



Step 2 – Mounting Drapes

Typically, the outermost rings on the rod are placed between the finial and the bracket.

Start installing your drapes from this outer ring first, attach the drapery pin from the outer pleat to this outer ring, and continue toward the center. Leave the return drapery pin on the outer edge for the tenter hook.



Pleated Drapery Installation Steps

(Cont'd)

Step 3 – Adjusting Drapery Pins Height (Optional)

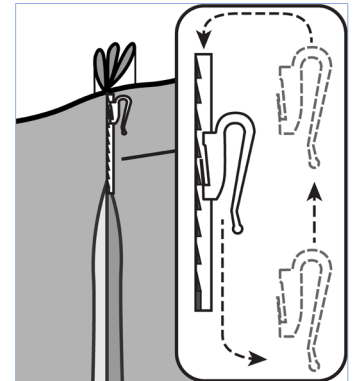
Your drapes will include either Eurohooks or metal drapery pins, depending on the style you selected.

Eurohooks

Eurohooks can be adjusted in 1/5” increments. Pull the hook down and reinsert it from the top. Stop at the desired height.

Drapery Pins

Remove and reinsert the drapery pins higher or lower, using the original insertion hole as a guide. Be aware of the sharp pin end.

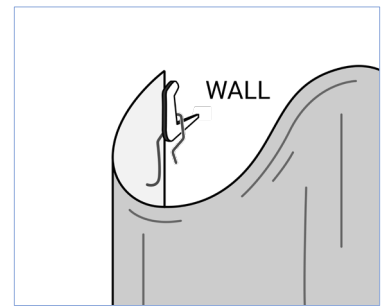


Adjusting Eurohooks

Step 4 – Installing Tenter Hook

Use included tenter hooks and hammer them into the wall at the height of the last drapery pin.

Choose a tenter hook location that creates a finished look for the last fold and blocks light from seeping between the drape and the wall.

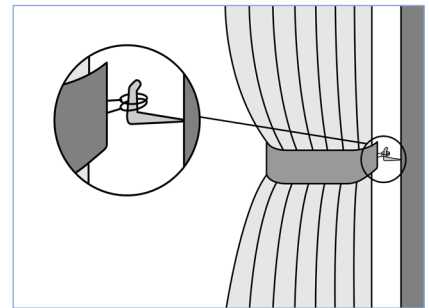


Step 5 – Tiebacks Installation (optional)

We recommend installing your tiebacks approximately halfway down the height of your drapes. Wrap the tieback around the drape and adjust the height up or down to find the perfect location.

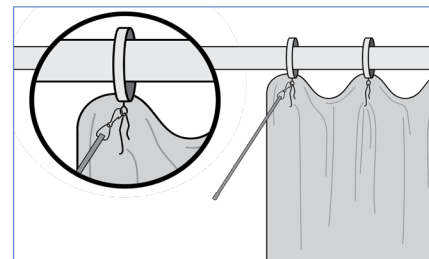
When you find the perfect height for the tieback, mark the location where you need to set the tenter hook. Use a hammer to insert the tenter hook into the wall and hang the tieback.

Attach the second tenter hook on the other side at the same height if you have a pair.



Step 6 – Attaching Drapery Wand (optional)

Attach wand to the first leading (center) ring as shown in the picture.



How to Dress Pleated Drapes

The following steps apply to the Pinch Pleat, Tailored Pleat and Goblet drapery styles.

Dressing drapes will create memory in the fabric so every time you open or close your drapes the fabric will be folded similarly. Dressing the folds usually takes 2 - 3 days for lighter fabric. For heavier fabric or drapes with interlining it might take up to two weeks. During this time, your drapes should stay in the open position, and we recommend not closing them to allow folds to create memory.

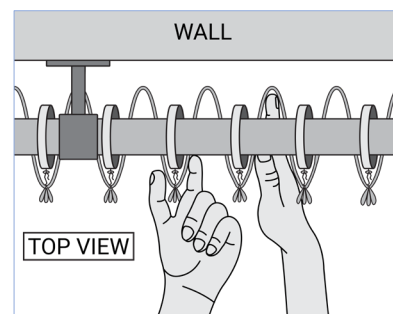
Step 1 – Start Dressing

Start with the outermost ring because it is locked between the finial and the bracket.

Step 2

Hold adjusting pleats close and press the fabric in between the pleats toward the wall. Straighten the folds below by running your fingers down the pleat sides to finish the fold.

Continue creating the folds behind the pleats all the way toward the center of the drape.

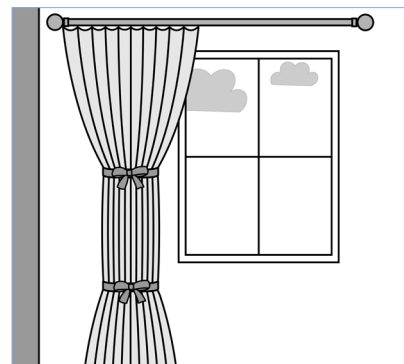


Step 3 (Optional)

Optionally, use a ribbon or light rope to tie the folds on the top, close to the drapery pins.

While the top of the drape is tied together, make the folds all the way down to the floor and tie the drape at the middle and bottom. The folds will form all the way from top to bottom and the panel will keep its shape whether open or closed.

Keep your drape tied for a few days.



Drapery Care

Once the draperies are installed and dressed, most wrinkles and folds will hang out on their own within 1 - 2 weeks.

A garment steamer may also be used to help smooth out the wrinkles. Please take care not to overheat the fabric while removing wrinkles. You also can use a wrinkle release spray like Downy® Wrinkle Releaser.

Certain fabrics like silks or linens have natural characteristics that steaming will not remove.

Please contact Customer Care at 800-256-5005 if you have additional questions on how to care for your drapes.



Thank you for choosing Regal Drapes. We are proud to make your drapes with careful attention to every detail. We hope you enjoy your drapes for many years to come.

The Regal Drapes Team