

# Somfy Motorized Track - Quick Start Guide

## Assembly, Installation & Programming Instructions

### Ripple Fold Drapery, Ceiling or Wall Brackets


Let's get excited for your new drapes. Please take a few minutes to review these simple steps so your drapes will be hanging beautifully in no time. If you should need help or have questions, please call us at 800-256-5005 ext. 104.


#### Read This Quick Start Guide First.

- If needed, download the full version of Somfy Motorized Track Assembly, Installation & Programming Instructions from the Regal Drapes website: [www.regaldrapes.com/InstallInstructions.aspx](http://www.regaldrapes.com/InstallInstructions.aspx) or scan the QR code.
- Please see the Regal Drapes instructions on how to install and dress your drapes.
- If you prefer to use your smartphone to guide you step-by-step through the initial installation and commissioning of your drapery track, please download a free **Help me by Somfy** app available for Apple and Android phones.

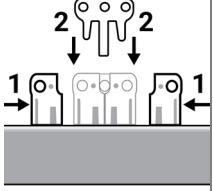
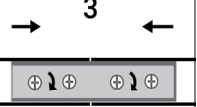
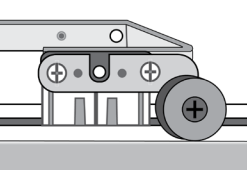
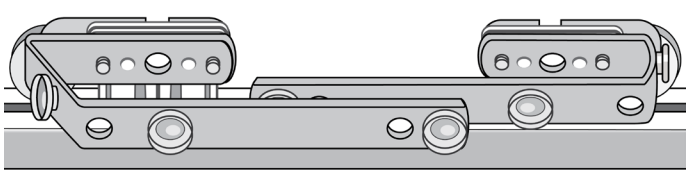
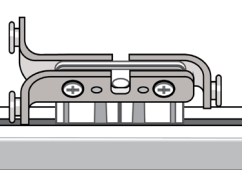
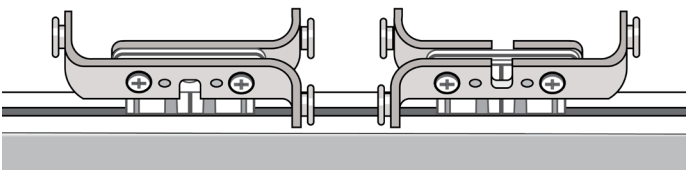
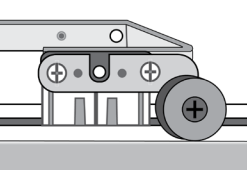
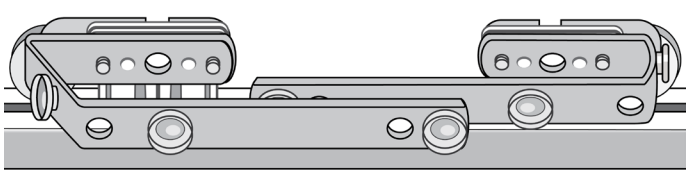
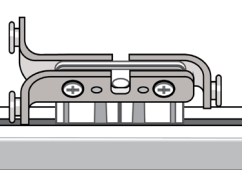
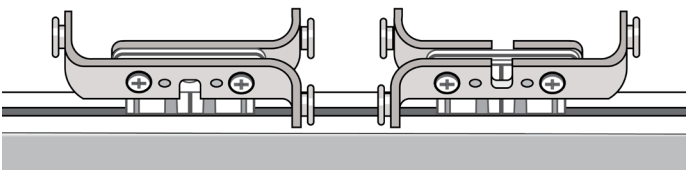
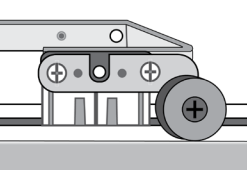
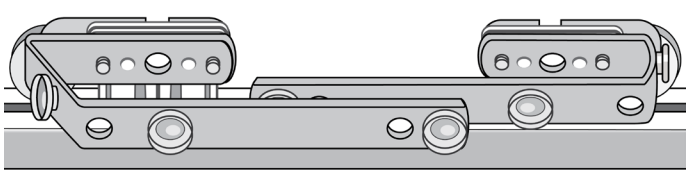
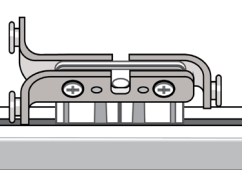
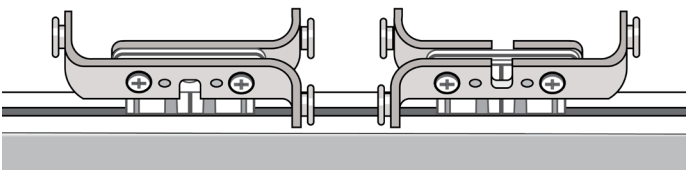


Help me by Somfy  
Professional solution  
★★★★★ 4

From the main app page  please follow the path [Programming](#) > [Shades, blinds and curtains](#) > [Curtains](#) > [Controlled by RTS technology](#) > Range [Situio II](#) > Control [Situio 1 RTS II](#) or [Situio 5 RTS II](#) > [Glydea](#) or [Irisimo Wirefree](#) motor to see the step-by-step guide.

 Whether you decide to use the Installation Instructions or free Help me by Somfy app - install the track first, then install the drapes. After that, program your remote and set up the open and close limits.

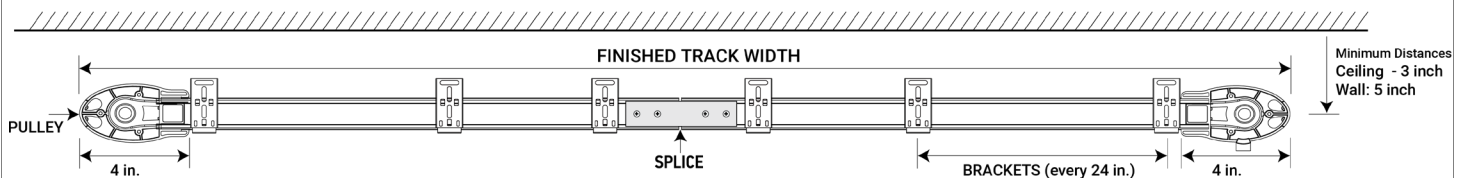
#### 1. - Re-Assemble Folded Drapery Track Steps 1 – 4 (If required)

<p>1. Slide the open master carrier bodies together.</p> <p>2. Insert the fixing plate.</p> 	<p>3. Center the splice on joined track parts and secure the screws.</p> 	<p>4. Attach the master carrier arms</p> <table border="1"> <thead> <tr> <th></th> <th>Back View</th> <th>Front View, Assembled</th> </tr> </thead> <tbody> <tr> <td>Overlap Arms</td> <td></td> <td></td> </tr> <tr> <td>Butt Arms</td> <td></td> <td></td> </tr> </tbody> </table>			Back View	Front View, Assembled	Overlap Arms			Butt Arms		
	Back View	Front View, Assembled										
Overlap Arms												
Butt Arms												

#### 2. - Brackets Installation

Usually, the drapery track is centered on the window or door. There must be 1 bracket by each pulley, and we recommend 1 bracket every 24" (20" - 25" apart). Also, 1 bracket should be placed on each side of a splice, if used.

The minimum track distance from the wall is 5 inches for wall brackets and 3 inches for ceiling brackets.



Use the provided screws if installing brackets directly to the wall stud or ceiling joist. Use the anchors when brackets are installed to Sheetrock.

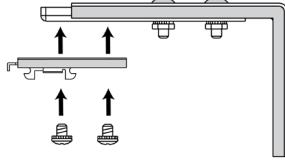
## 2-A.- Wall Mount Bracket Installation

1. Calculate the placement marks for the bracket height using the formula:

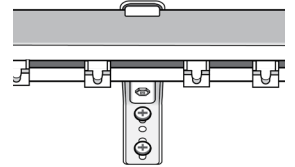
$$\text{Drape Length} + \text{Clearance Between the Drape and the Floor} + 1\frac{1}{2}'' = \text{Height of the Wall Marking}$$

2. Mark the placement of end brackets at calculated height, 4" from the end of the track, about 24" apart for other brackets (recommended on stud or joist), and on both sides of the splice (if used), 3.5" off the center cut.

3. Attach the mounting clips to the L-shaped wall brackets.



4. For wood studs drive the provided screw directly into a stud. When studs are not located, use the provided anchors for Sheetrock walls. For other wall types use anchors rated for 50 lbs. or more.



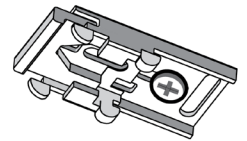
## 2-B. - Ceiling Mount Bracket Installation

1. Mark the placement of end brackets at 4" from the track ends, about 24" apart (recommended) for other brackets, and on both sides of the splice (if using), 3.5" off the center according to the diagram above: Center of the track should be distanced at least 3" from the wall.

2. For a wood frame joist, drive provided screws through the bracket directly into joist.

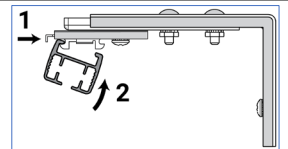
When joists are not located, use the provided anchor for Sheetrock ceiling.

For other ceiling types use anchors rated for 50 lbs. or more.



## 3. - Attaching Track to the Brackets

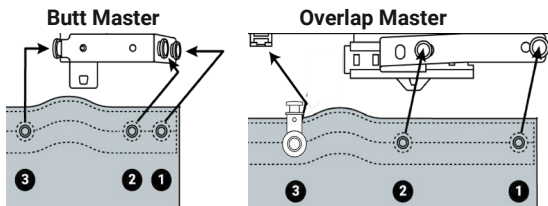
1. Attach track to the brackets by leaning track onto front clips.
2. Using your thumbs, push the bracket in and rotate the track up to pop track into back clips. Press on the front of the mounting clip if needed to slightly move the front clips inside.
3. You will hear a click when track is set in place.



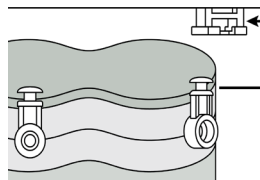
## 4. - Mount the Drapes

1. **Butt Master:** snap the first three leading edge buttons on the Butt master carrier.

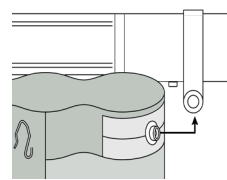
**Overlap Master:** snap the first two buttons on the carrier arm and the third button on the first carrier on the track.



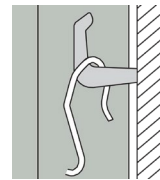
2. Insert the remaining pre-snapped pendants onto the carriers.



3. Install the last snap onto the motor hook (installed onto the motor pulley).

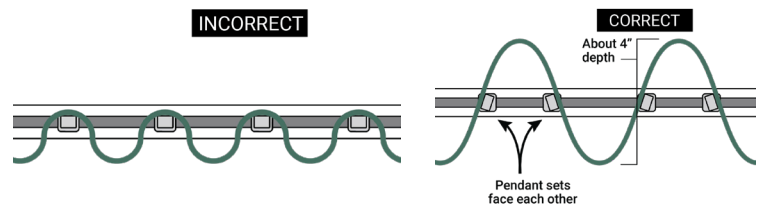


4. Affix the tenter hook to the wall and attach the pre-installed drapery hook.



## 5. - Create Ripple Fold Wave


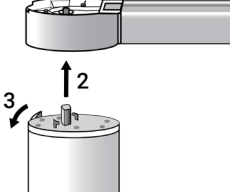
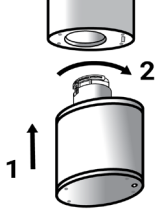

Dress the fabric into S-folds by pushing it towards wall and pulling out into room. Each set of two pendants should face each other.



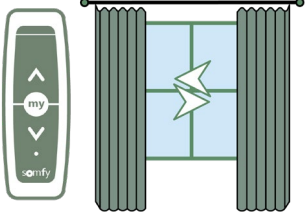
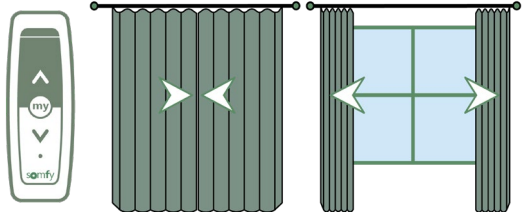
## 6. - Connect Motor and the Power Source



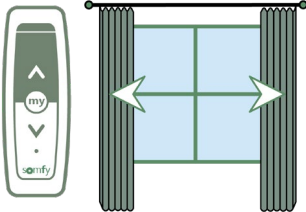
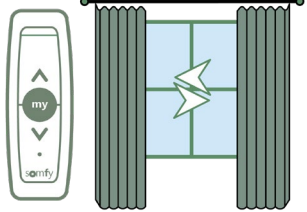
- 1) Move the drape to the middle of the track to allow movement in either direction before connecting the motor,
- 2) Have the Remote Controller on hand to start programming right away.

<p><b>1.</b> Unlock motor by moving plastic tab at the top of motor.</p> 	<p><b>2.</b> Attach motor to track with the small twist and lock tab into place.</p> 	<p><b>3.</b> Attach the battery to the bottom of the motor or plug in the power cord to the wall outlet.</p>  <p> Disconnect the power cord from the battery before programming.</p>
--	--	--

## 7. - Program the End Positions

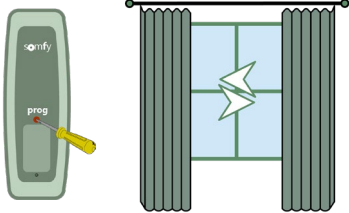
<p><b>1.</b> Press &amp; Hold the <b>OPEN/UP</b> and <b>CLOSE/DOWN</b> buttons simultaneously until the drapery jogs.</p> 	<p><b>2.</b> Briefly press <b>OPEN/UP</b> or <b>CLOSE/DOWN</b>, the drapery automatically runs to record both hard stop positions.</p> 
---	--

## 8. - Check Direction of Rotation

<p><b>1.</b> Briefly press <b>OPEN/UP</b> button.</p> <p>If the drapery opens, the direction of rotation is correct, go to <b>STEP 9.</b></p> 	<p><b>2.</b> If the drapery closes, the direction of rotation is incorrect, press and hold the <b>MY</b> button until the drapery jogs.</p> <p>To confirm press the <b>OPEN/UP</b> button and check the direction of rotation again.</p> 
--	---

## 9. - Recording the Remote Controller

Using a small pin, press & hold the **Prog** button on the back of the Remote Controller until the drapery jogs. The Remote Controller is now recorded.



Our dedicated Customer Care Team is available to answer any questions you may have about your drapery or installation. Contact us at 1-800-256-5005 ext. 104 or email [customer care@regaldrapes.com](mailto:customer care@regaldrapes.com). 800-256-5005 | [RegalDrapes.com](http://RegalDrapes.com).



Thank you for choosing Regal Drapes. We are proud to make your drapes with careful attention to every detail. We hope you enjoy your drapes for many years to come.

The Regal Drapes Team