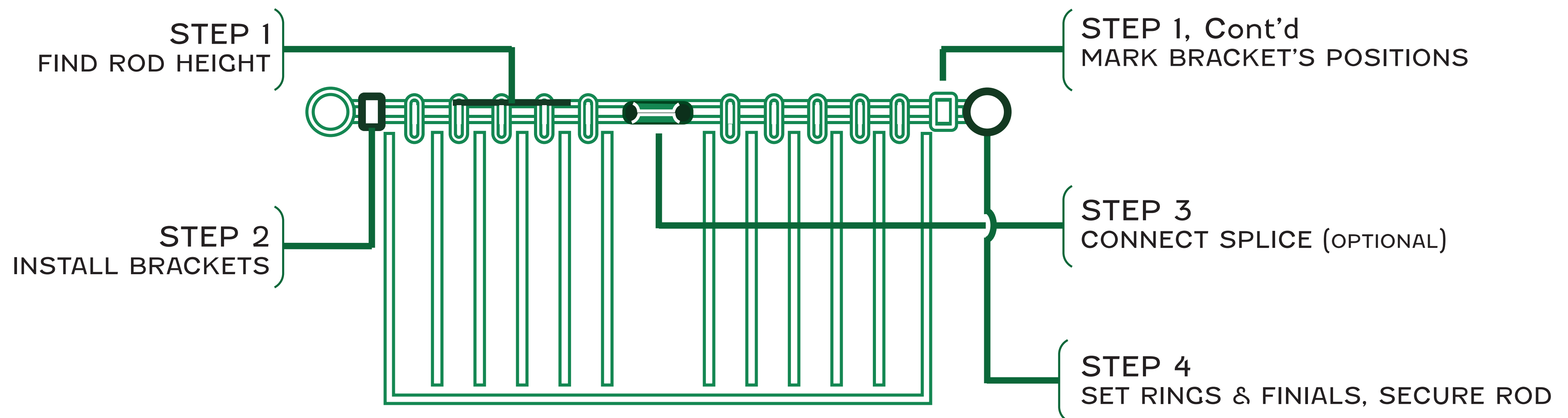
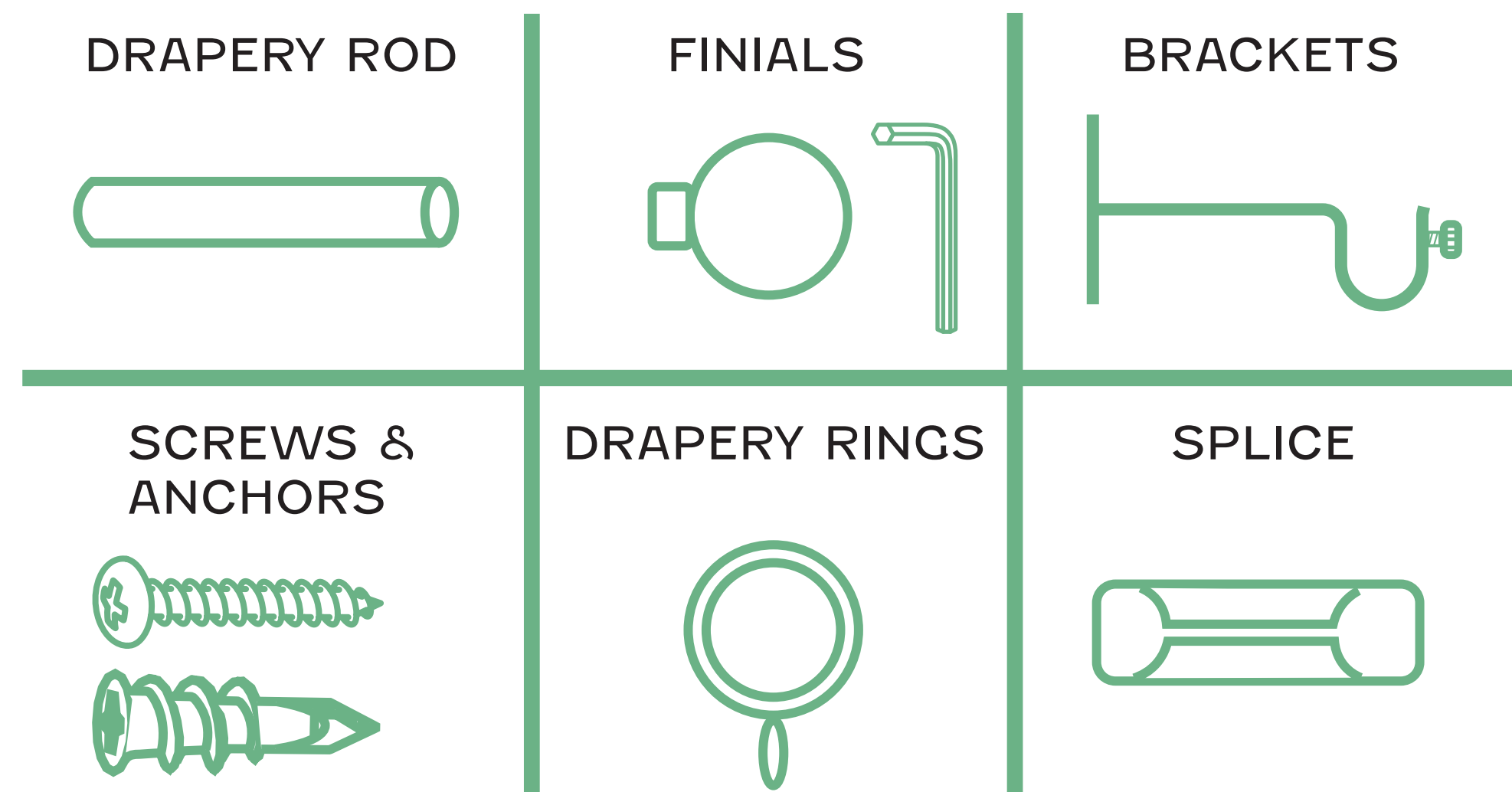


# FIRST TIME INSTALLING DRAPES?

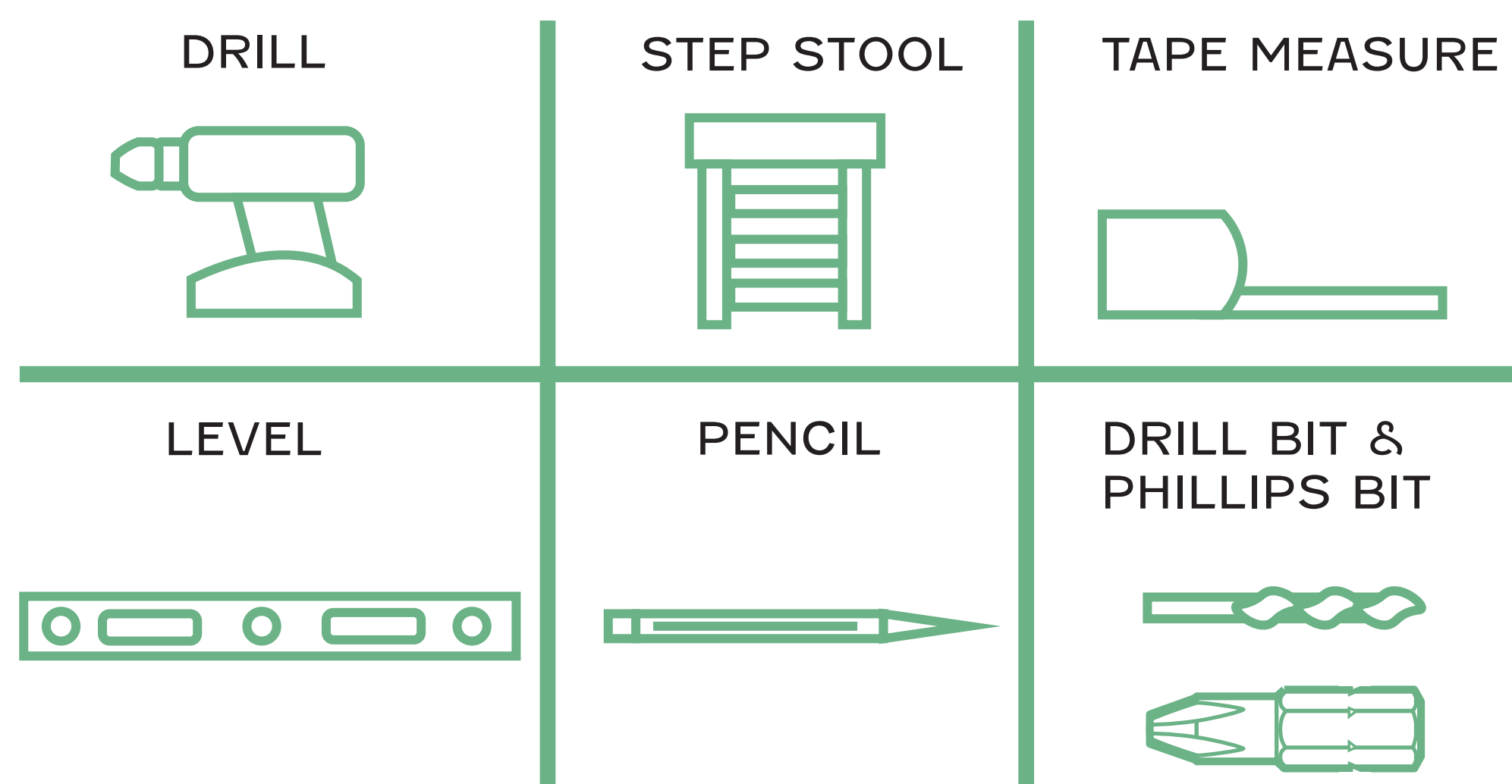
DON'T WORRY, WE'LL WALK YOU THROUGH THE WHOLE PROCESS. JUST FOLLOW THESE SIMPLE STEPS AND YOU'RE NEARLY THERE.



## PARTS YOU GET



## TOOLS YOU WILL NEED



## STEP 1 MARKING BRACKET PLACEMENT

**1** Find the Suggested Rod Height on your invoice.

**2** Measure the width of your drapery rod.

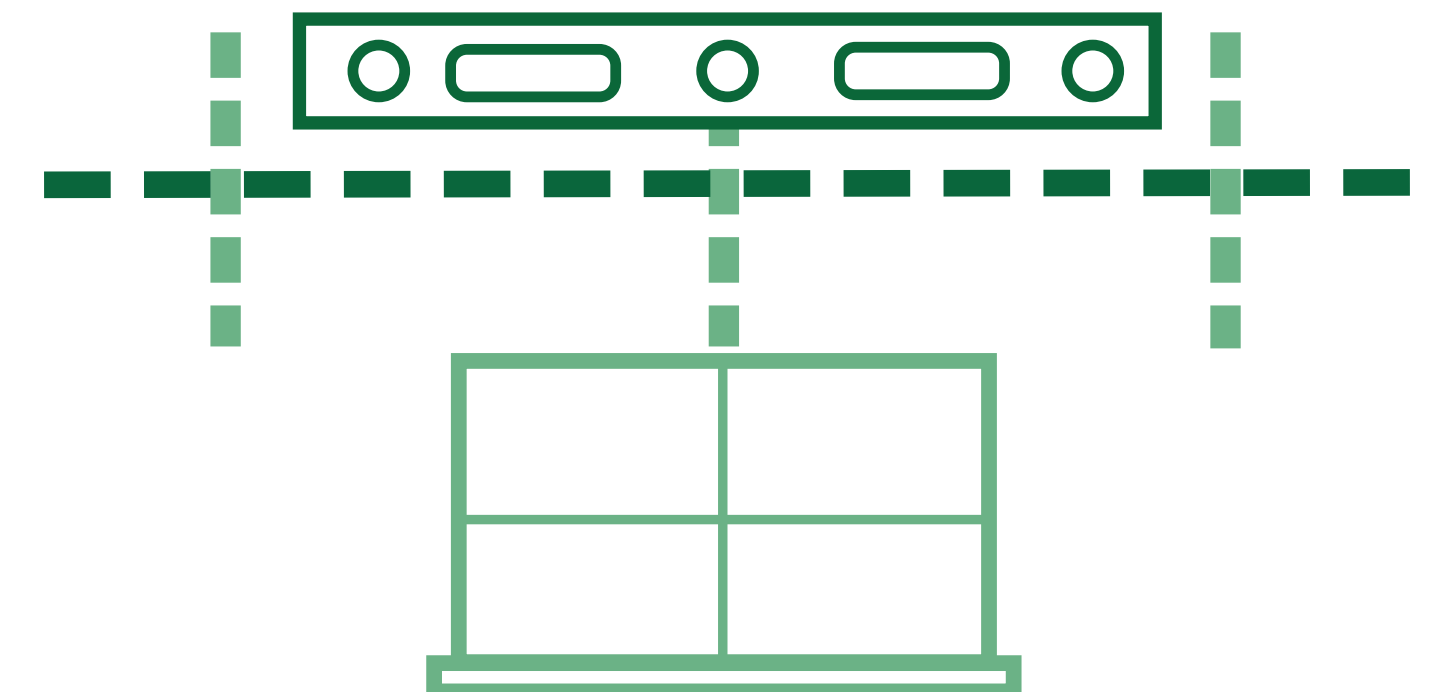
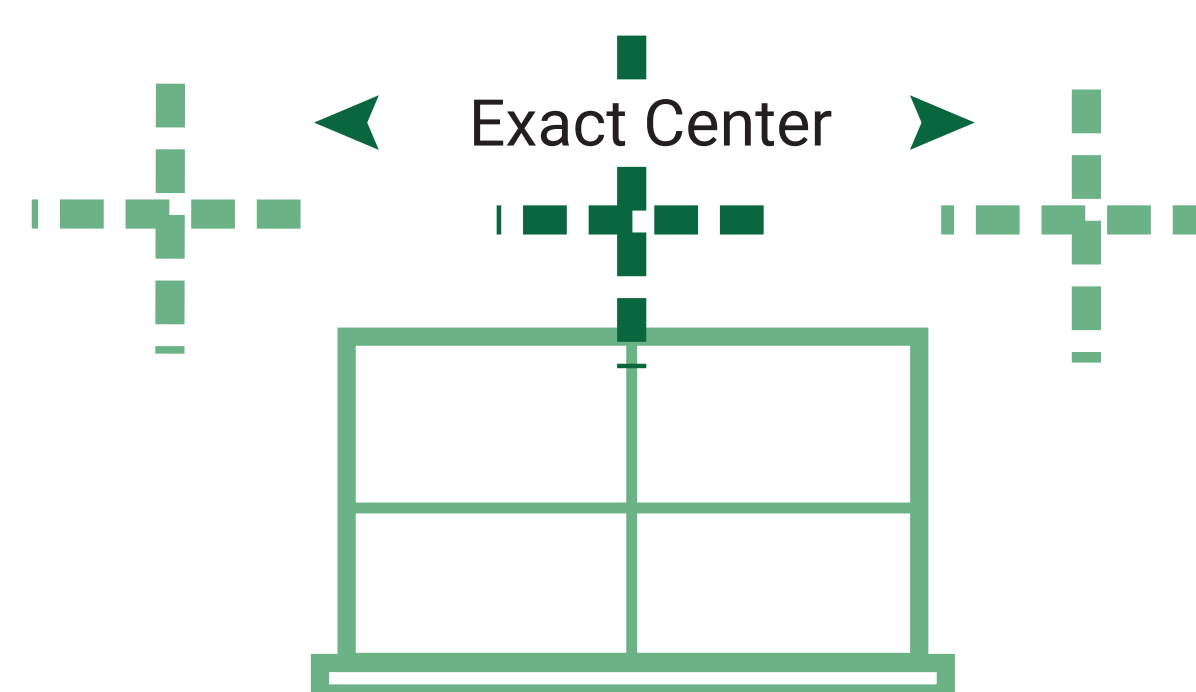
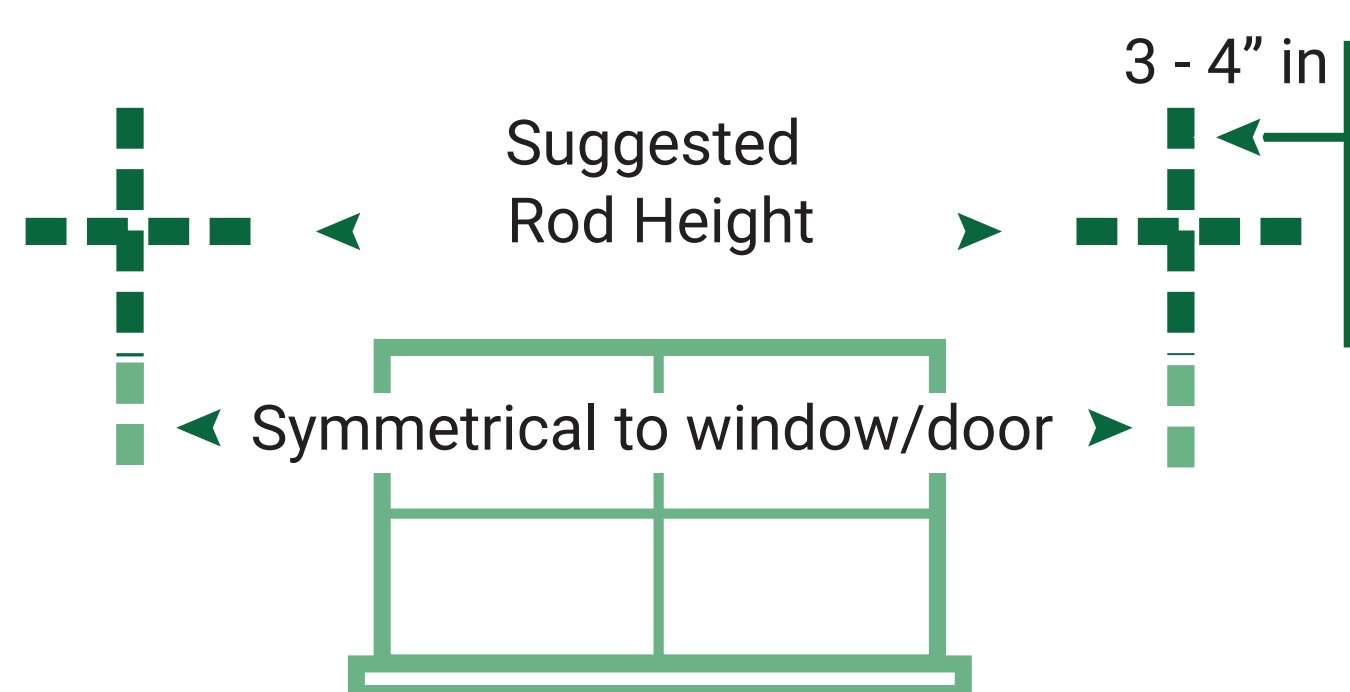
### RIPPLE FOLD DRAPER Y

**PAIR**  
 Drape Width(Each): 136"  
 Drape Length(Each): 95 3/4"  
 These drapes were designed assuming a rod/track width of 154" and a rod/track height of 95 3/4" (top of rod/track to floor).  
 • Hardware: 154" White Track (154" x 1 1/2" x 1 1/2")  
 • Lining: Premium Privacy Lining  
 • Drapery Wands: 30 in. White Wand (x 2)

**3** Put the end brackets' marks at the Suggested Rod Height, 3-4 inches from the rod ends, and symmetrical to the window/door.

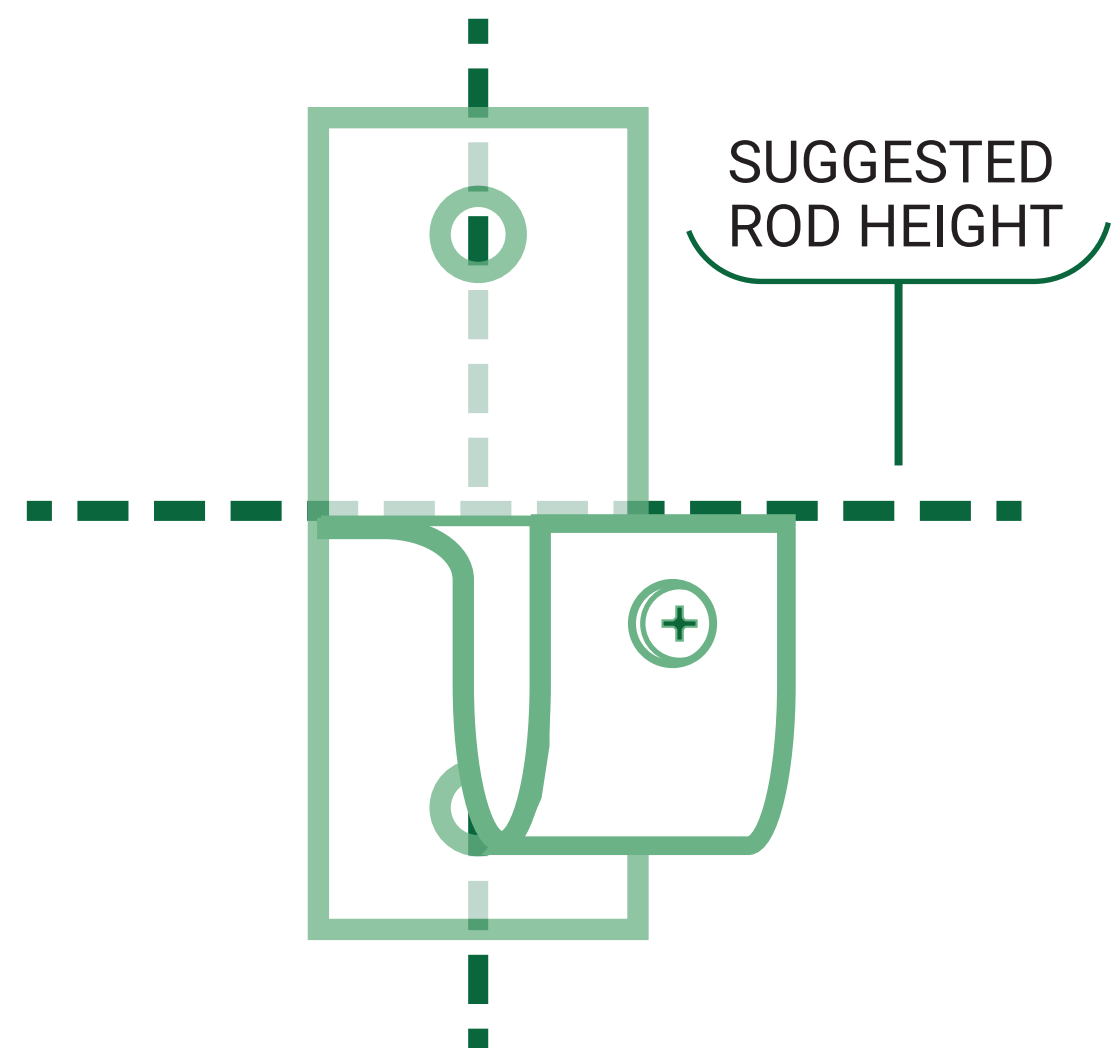
**4** Place the center bracket mark at the exact center between the two end marks.

**5** Make sure that all marks are level to the floor and placed in a straight line.

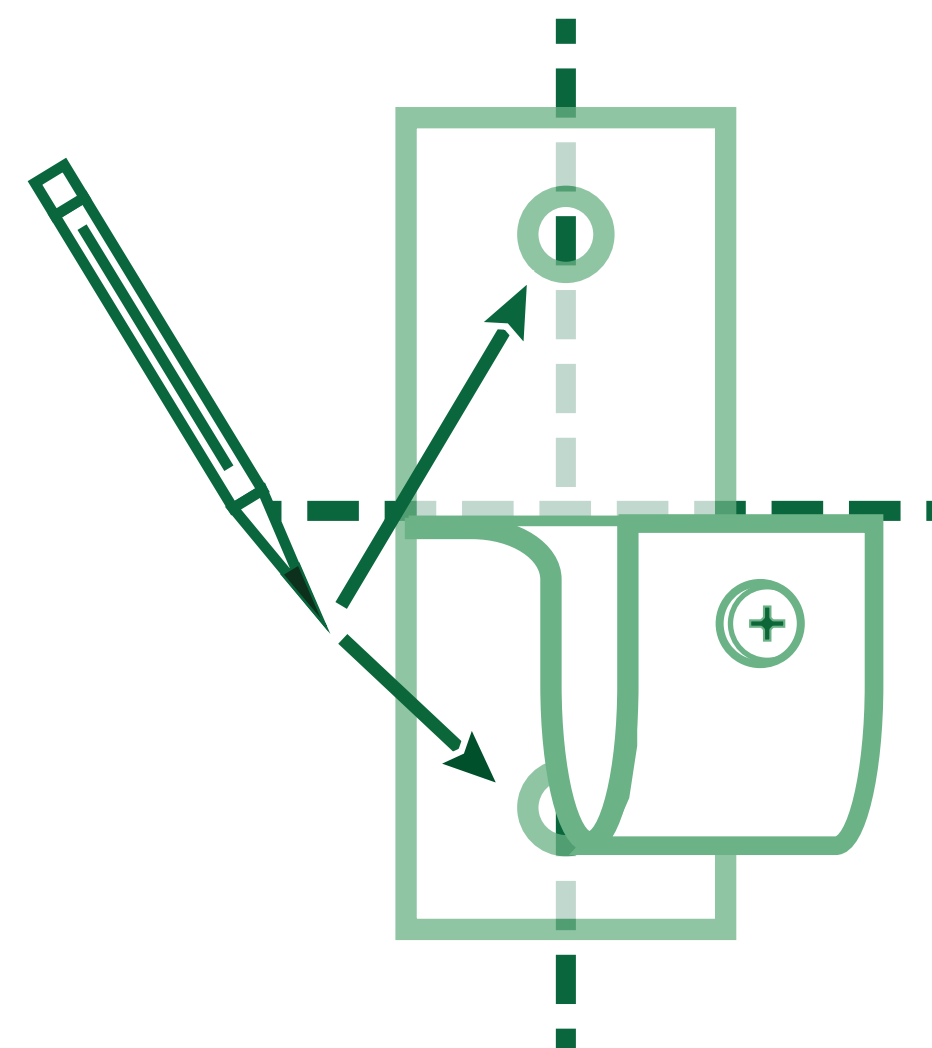


## STEP 2 PLACING BRACKETS

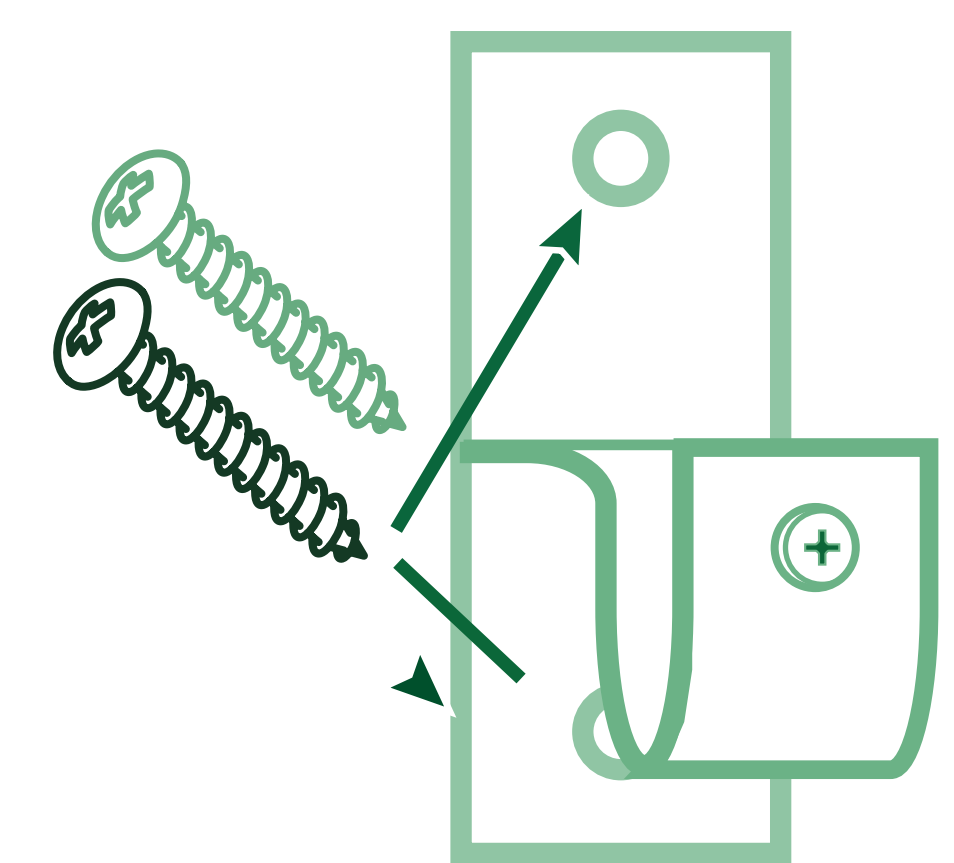
**1** Place the top of the bracket's arm level with the horizontal mark line.



**2** Use holes to mark the positions for screws or anchors.



**3** If needed, pre-drill the holes or install the anchors. Drill in the screws to attach the mounting plate.



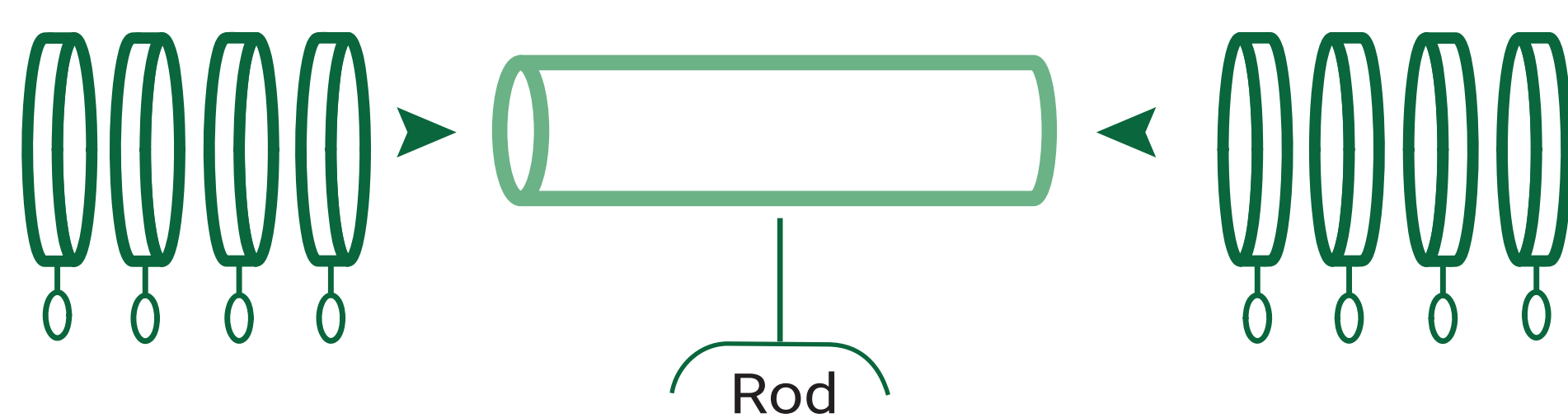
## STEP 3 CONNECTING ROD WITH SPLICE (OPTIONAL)

**1** Insert the splice halfway into the rod. Then attach the other half of the rod to the splice.

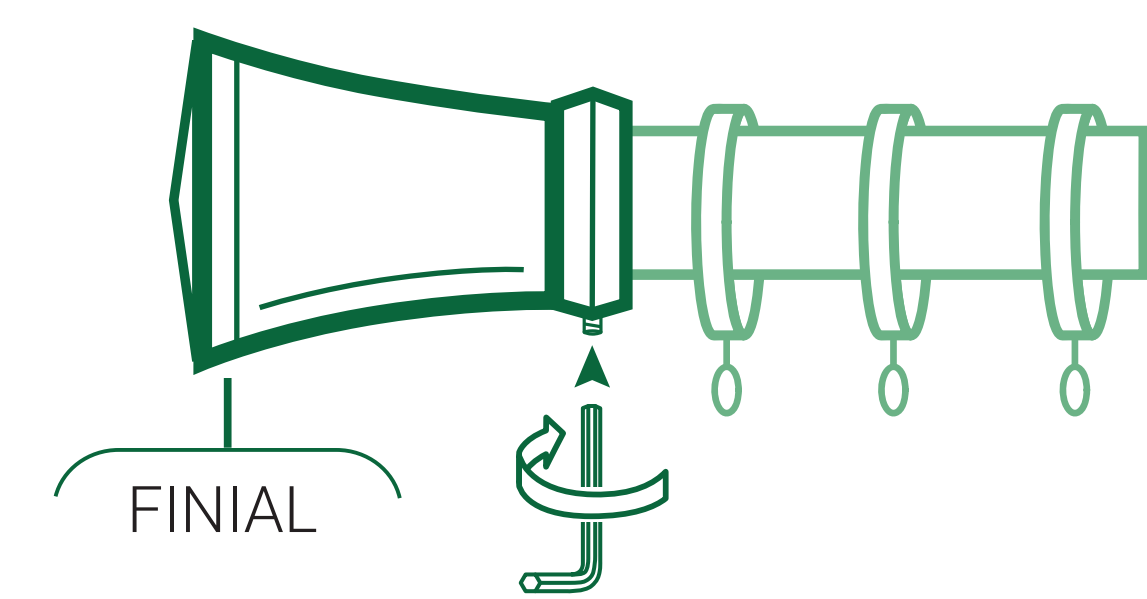


## STEP 4 ATTACHING RINGS, FINIALS, AND MOUNTING ROD

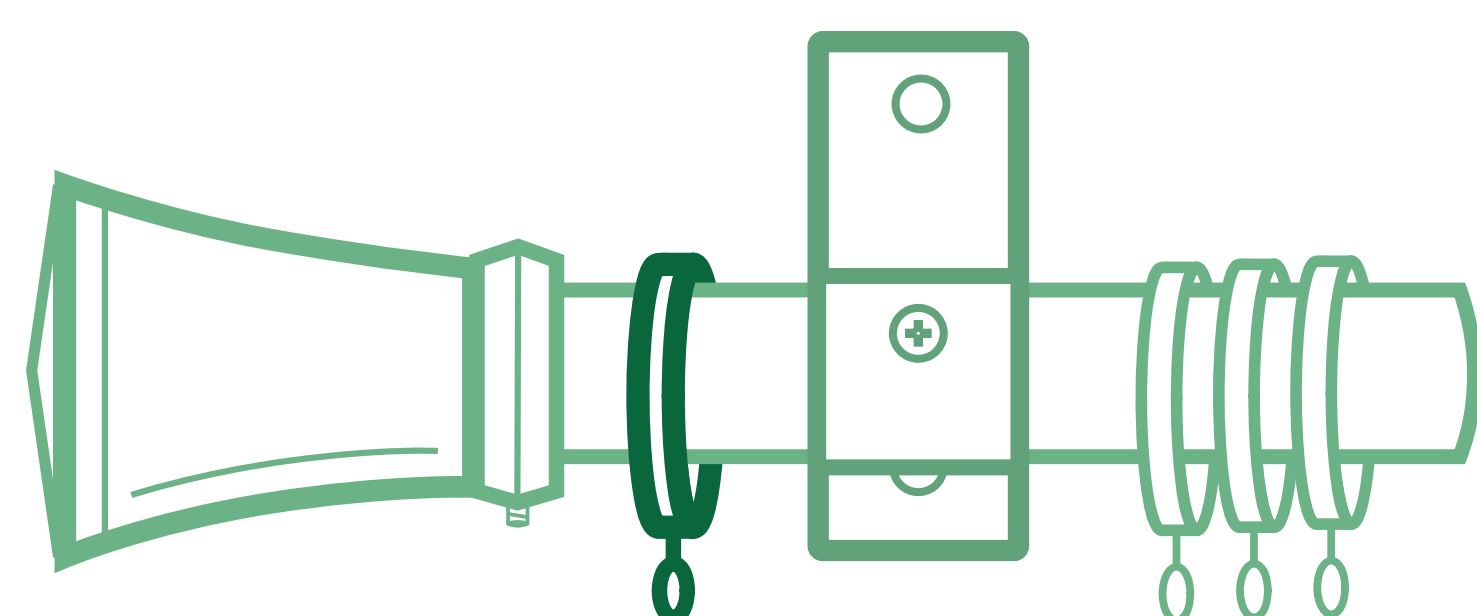
**1** Slide in the rings onto the rod.



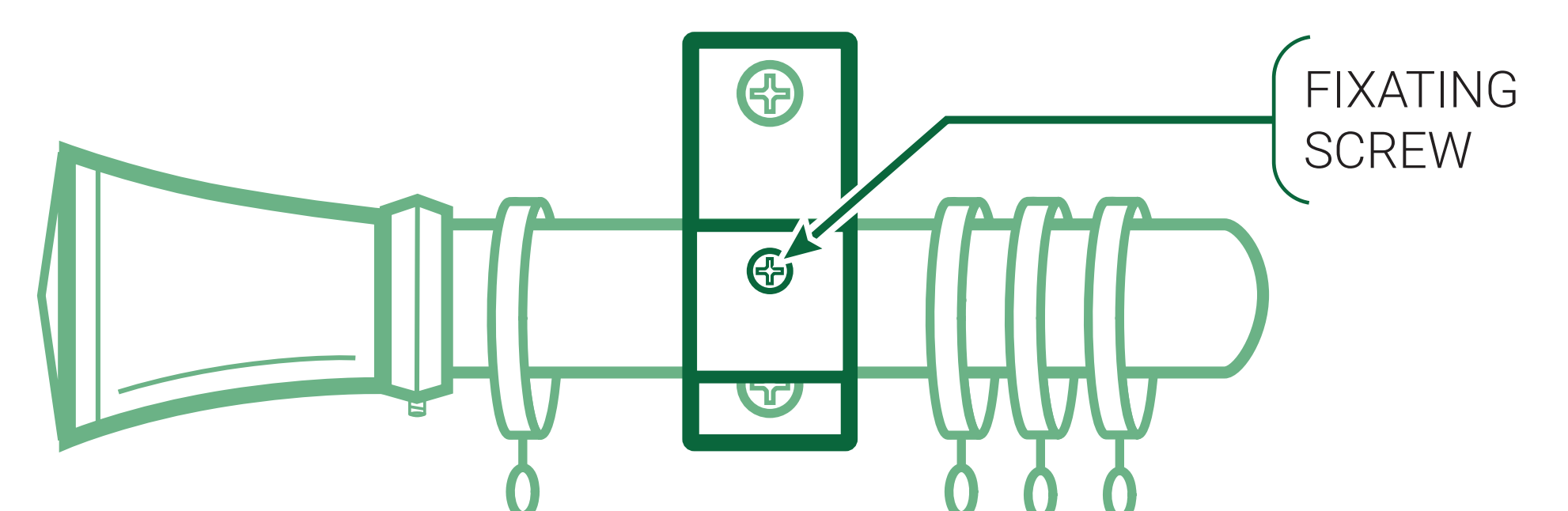
**2** Secure the finials on the rod ends.



**3** Gently put rod into the bracket arms, then move the last ring to the other side of the bracket arm.



**4** Center the rod on the brackets and secure it with the fixating screw.



Congratulations, job well done! Still have questions? Customer Care is available at 800-256-5005.

**THANK YOU FOR CHOOSING REGAL DRAPES.**

WE ARE PROUD TO MAKE YOUR DRAPES WITH CAREFUL ATTENTION TO EVERY DETAIL. WE HOPE YOU ENJOY YOUR DRAPES FOR MANY YEARS TO COME.