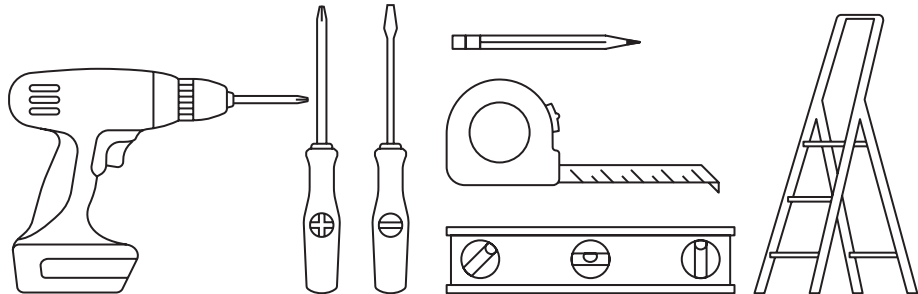


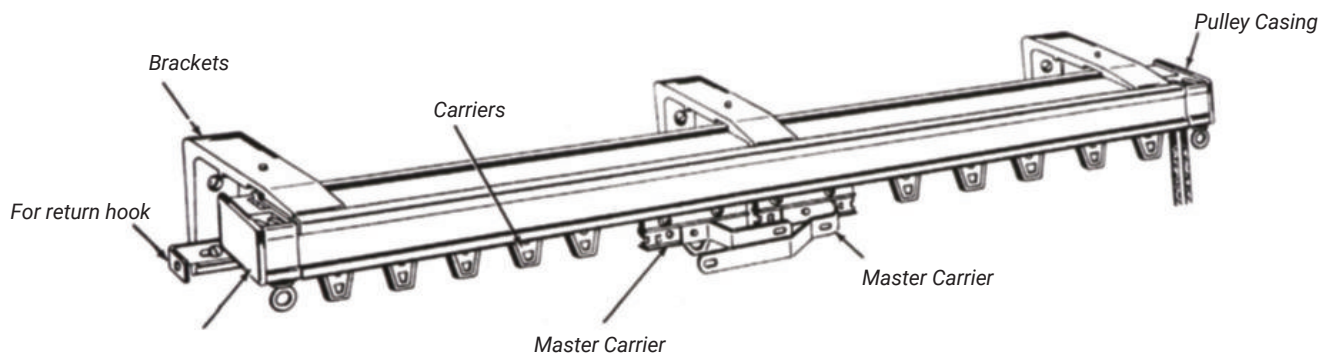
## Tools You Will Need

---

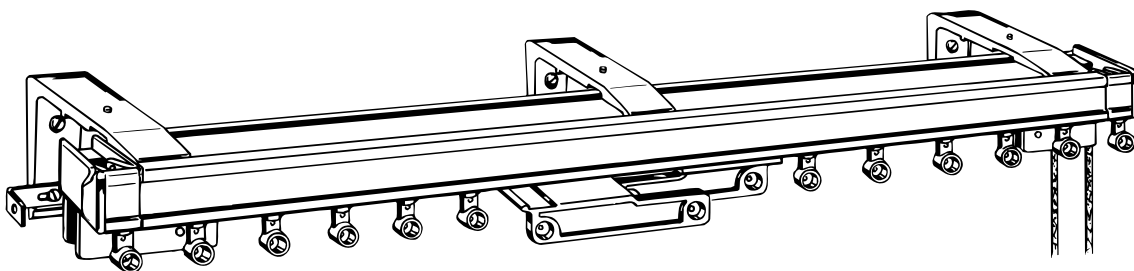
- Drill with Phillips screwdriver bit
- Phillips screwdriver
- Standard screwdriver
- Pencil
- Metal tape measure
- Level (wall mount)
- Step ladder



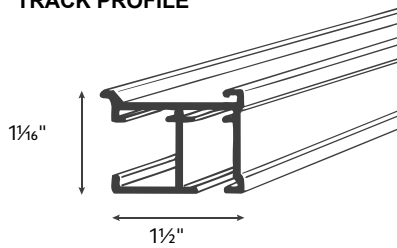
### Configuration for Pleated and Flat Panel Drapes



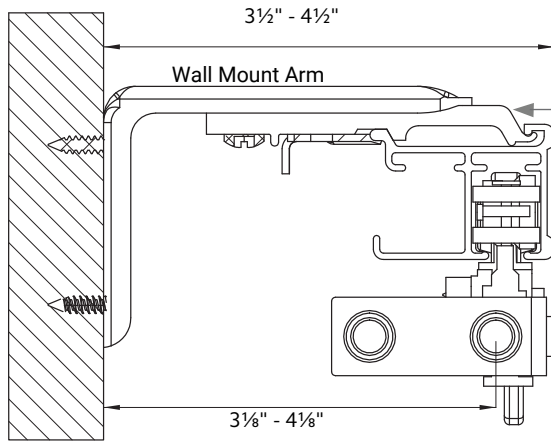
### Configuration for Ripplefold Drapes



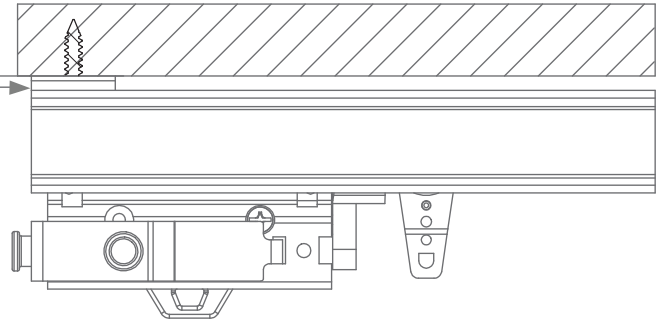
### TRACK PROFILE



### WALL MOUNT (Side View)

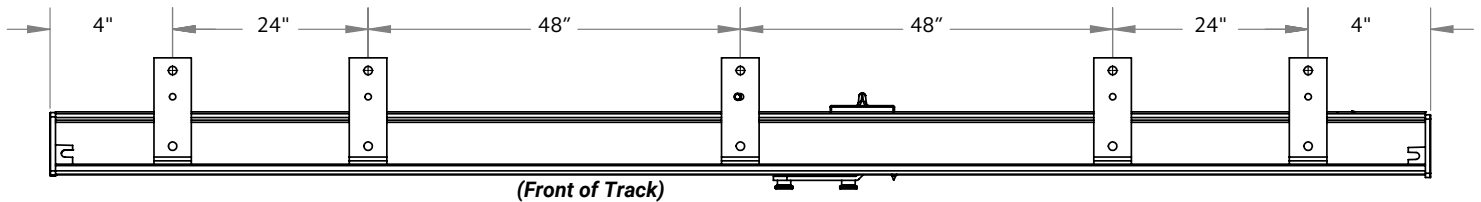


### CEILING MOUNT (Front View)



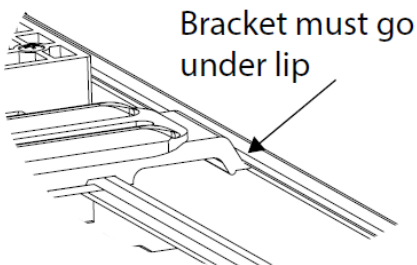
## INSTALLATION

### Overhead View of Track



### INSTALLING BRACKETS

Install two brackets 24" apart at each drapery stacking end of rod. Additional brackets should be spaced at 48" intervals.



### MOUNTING TRACK

Put track on brackets and lock into place by turning cam with screwdriver.

### HANGING THE DRAPES

Hang the drapery on the rod starting at the "master carrier" and moving out to the drapery return.